

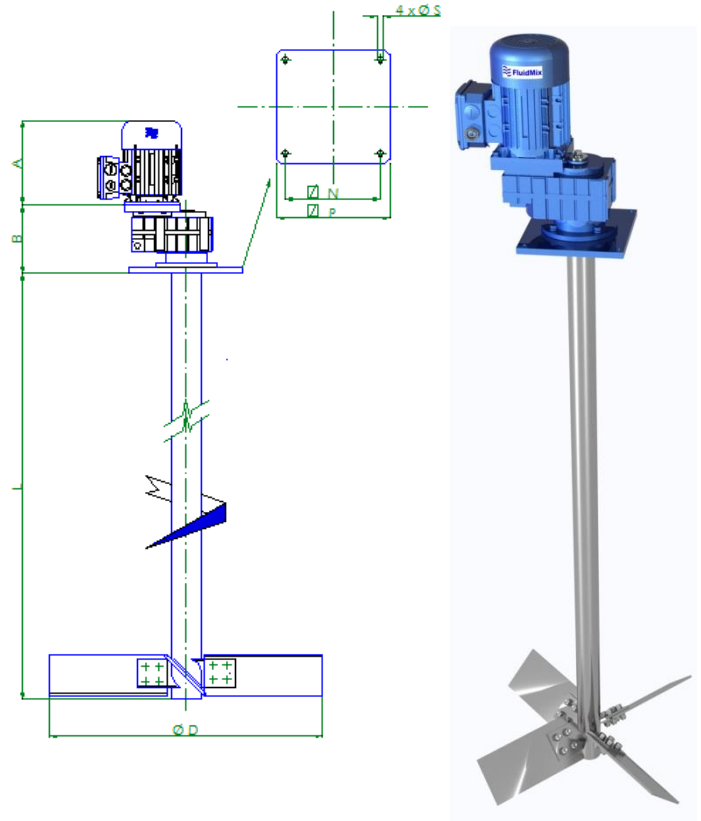
The main characteristic of VTG mixers is their four blades axial turbine. Axial turbine has a high power input ratio, and achieves a strong mixing effect in tanks from 10 to 100 m³ volume. The rotation sense of the turbine can be easily changed just changing motor power feed wires. Thanks to their life greased reducer gear it is a friendly maintenance machine just to connect and run. VTG mixers can be equipped with more than one single turbine.

Main features:

- For tanks 10 – 100 m³.
- Motor power: 2,2 kW to 75 kW.
- Running speed 20 to 120 rpm.
- 2/4 blades pitched axial turbine,
- Shaft length according tank height
- Shaft and propeller AISI 316, AISI 304, carbon steel, rubber coated.

Optional extras:

- AISI 316 or PVC plate with oil seal.
- Food industry execution, polished.
- ATEX motors.
- DIN or ANSI flanges.



Modelo	Motor kw	rpm	A	B	D	L T L	N	P	S	Kg	Vol. * m ³
VTG4											

Dimensions in [mm].

(*) Tank volumes only for guidance.

Due to our policy of constant improvement, shown values can be changed.