

FEATURES

- PP and PVDF solid construction
- T max exercise: PP 75°C- PVDF 98°C
- Sleeved SS316 or Titanium shaft
- Connections: Threaded or Socket union
- Gaskets: EPDM for PP, FPM for PVDF
- Pump body with threaded closure system, No bolts
- Single or Three phase electric motor with extended shaft
- Optional PP Drip Proof Motor Fan Cover

APPLICATIONS

- Acid and alkaline solutions with minimal suspended solids
- Electroplating Industry
- PCB Industry
- Chemical Industry

ADVANTAGES

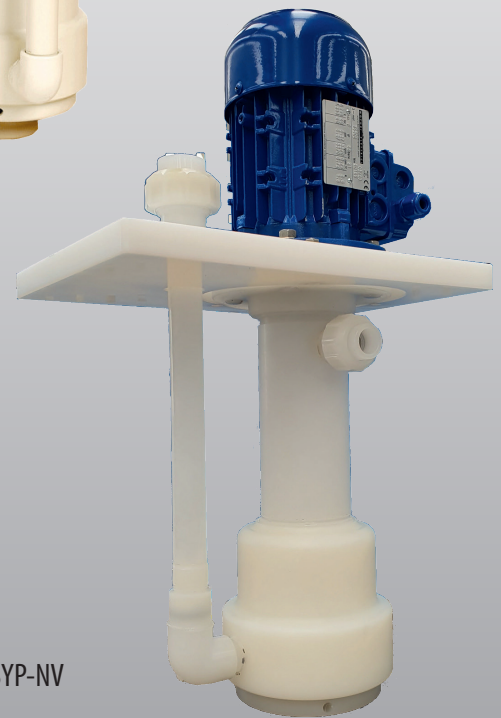
- Dry run capability
- Excellent chemical resistance due to absence of filling materials
- IN and OUT tank installation

		EYP03N	EYP08N	EYP10N	EYP15N	EASYP25N
Electric motor	Type	IE1			IE3	
Rpm	50/60 Hz	2900/3450				
Power	Kw/Hp	0,15/0,18	0,37/0,5	0,7/1	1,1/1,5	2,2/3
I ^a 230/400V 50 Hz	A	1/0,60	2,1/1,2	3,13/1,8	4,2/2,4	7,8/4,5
I ^a 266/460V 60 Hz	A	1,05/0,63	2,19/1,25	3,2/1,9	4,3/2,5	8,1/4,7
Q _{max} 50 Hz	l/min	45	85	150	260	420
H _{max} 50 Hz	m	4,5	9	10	15	23
Q _{max} 60 Hz	l/min	50	90	170	280	450
H _{max} 60 Hz	m	6	13	14	20	25
T _{max} pp	°C	75				
T _{max} PVDF	°C	98				
IN/OUT DN	mm	20/16	32/20	40/25	40/32	50/40
weight PP*	Kg	5,5	6,5	13	19,5	33
weight PVDF*		7	10	15	22	37

*Value could change according to motor brand



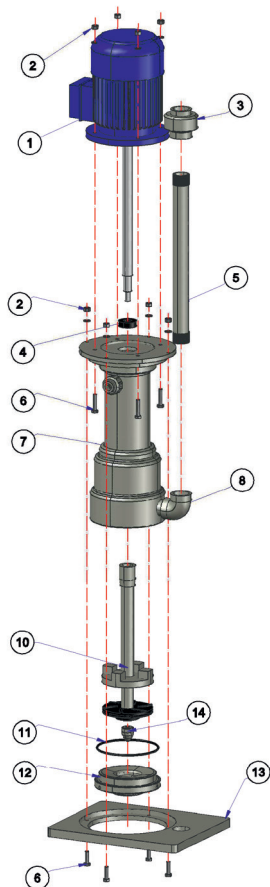
EASYP-NP



EASYP-NV

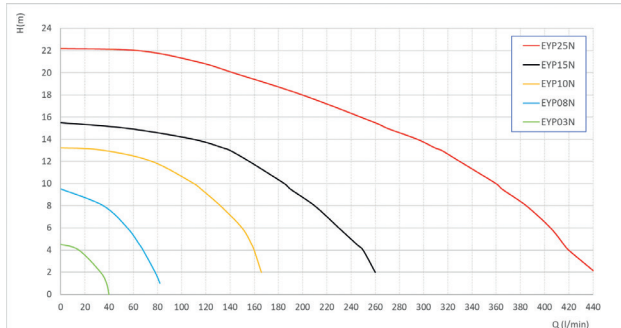
PUMP IDENTIFICATION							
Model	Pump body	Shaft	Impeller type	Oring	Connections	Motor/Rpm	Optionals
EYP03N EYP08N EYP10N EYP15N EYP25N	P = PP V = PVDF	X=AISI 316 T = Titanium	O = Standard 1 = Trimmed for high density 2 = High temp. standard 3 = High temp. Trimmed for high density	E = EPDM V = Viton F = FEP	B = Socket union T = Threaded	A = 50Hz/2900 B = 60Hz/3400	S = Strainer C = Drip proof motor lid
EYP15N	P	X	O	E	T	A	C

Exploded View

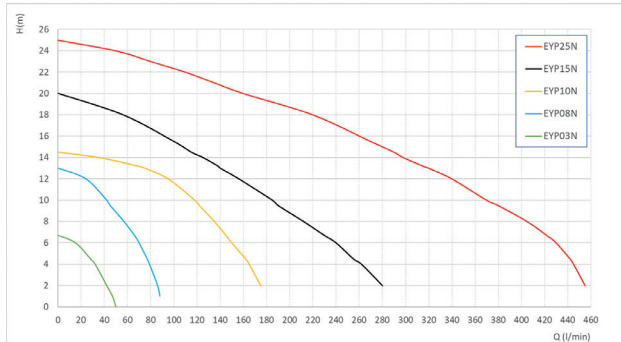


EXPLODED VIEW EASY PUMP	
Part. N.	Description
1	Motor
2	Nut
3	Socket union (std. PVDF)
4	MIMM sealing
5	Outlet pipe
6	Bolt
7	Pump housing
8	Elbow
10	Impeller set
11	Pump housing O-ring
12	Pump head
13	Pump flange
14	Ogive

Performance Curve 50 Hz - Rpm 2800

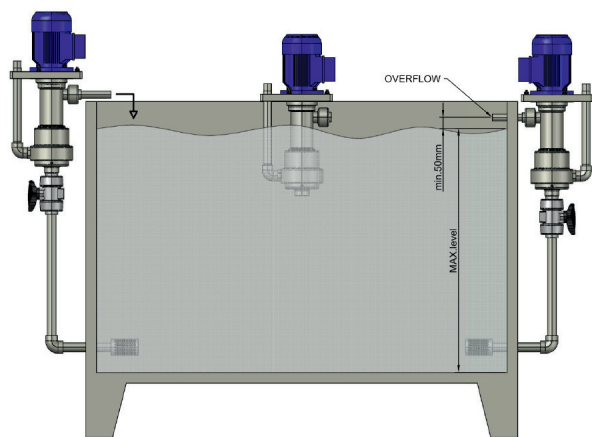


Performance Curve 60 Hz - Rpm 3400

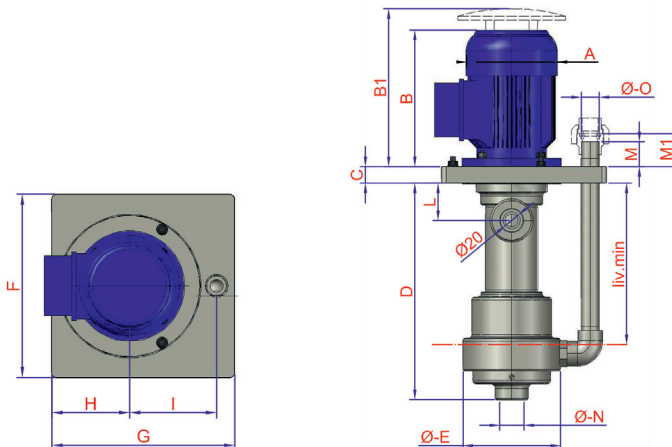


Curves referred to water=20°C

Installation



Dimensional drawing



Pump series EASYP-N																
Mod	A	B	B1	C	D	Φ E	F	G	H	I	L	M	M1	Φ n-N	Φ n-O	Liv. Min
EYP03N	110	165	195	20	262	118	200	200	85	95	45	30	40	25	20	195
EYP08N	120	190	218	20	340	140	220	310	110	108	45	40	50	40	25	275
EYP10N	135	225	250	20	410	150	250	320	123	130	50	40	50	50	32	330
EYP15N	175	250	275	20	440	180	290	350	145	142	50	50	50	50	40	365
EYP25N	175	320	350	30	450	200	320	450	160	220	65	50	50	60	50	345

LAFONTE.EU may modify data any time, without notice, in order to get product enhancement