



ADVANTAGES

- Temporary dry-run capability
- Energy saving

FEATURES

- Seal less magnetic drive coupling
- Tmax exercise: PP 80°C - PVDF 98°C
- Connections:
 - socket union for rigid piping connection with PP, PVC, PVDF union ends choice
 - hose barb for hose connetctions
 - flanged

APPLICATION FIELDS

- Acid and alkaline soutions with minimal solid suspended particles
- Electroplating industry
- Chemical industry
- PCB industry

SPECIFICATIONS

	Flow Rate max (l/min.)	Head max (m)	Motor (kw)	IN/OUT D (mm)	T max (°C)	Weight* (kg)
50 Hz	57	8	0,12	25 x 25	PP: 80	PP: 3,6
60 Hz	58	9	0,12	25 x 25	PVDF: 98	PVDF: 4,0

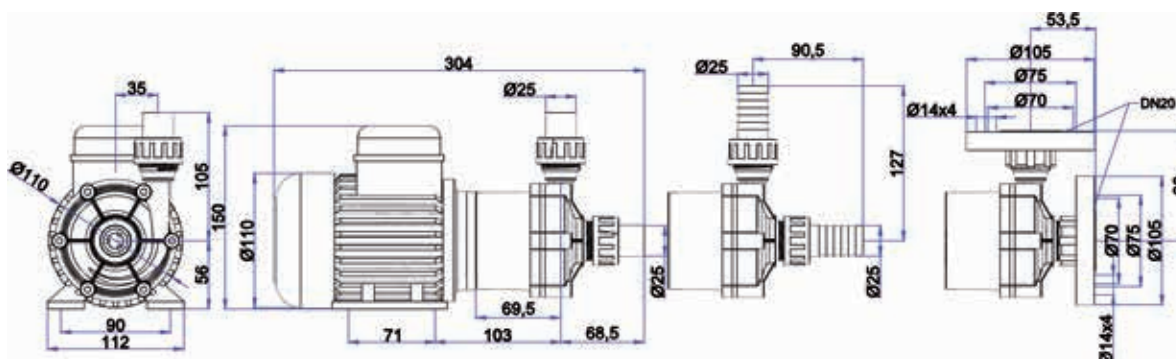
* It depends on the motor



Connection type B

Connection type P

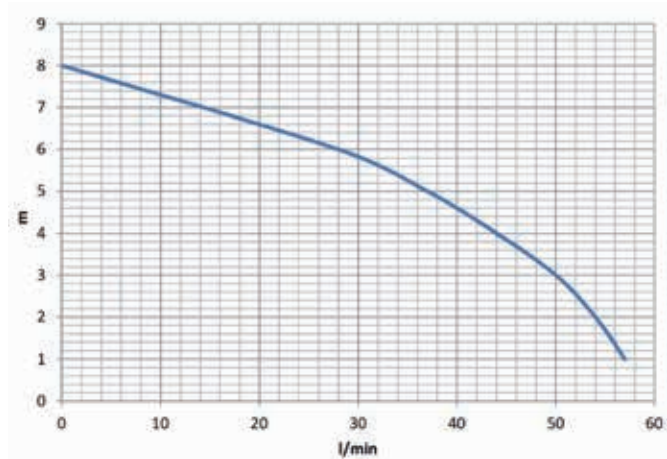
Connection type F



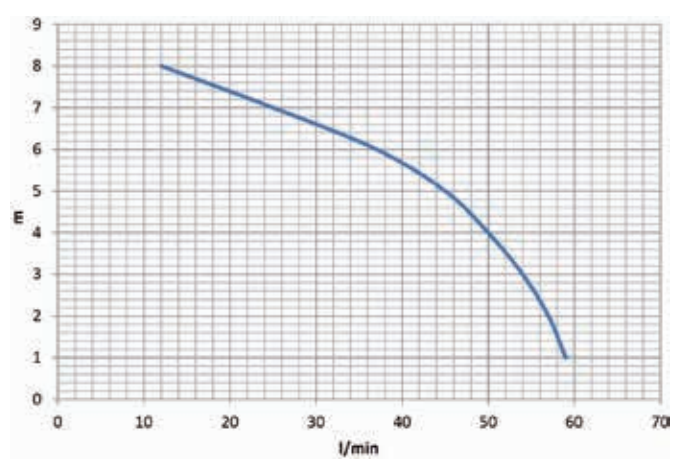
PUMP IDENTIFICATION

Model	Pump Body Mat.	Impeller Mat.	Shaft Mat.	Impeller Bush Mat.	O-Ring	Connection Type	Motor / rpm
EVT 4	P = PP F = PVDF E = ECTFE	P = PP F = PVDF E = ECTFE	C = Ceramic S = SIC	T = PTFE G = Carbon	E = EPDM V = Viton	B = Socket Union F = Flanged P = Hose barb	A = 50 Hz / 2800 B = 60 Hz / 3400
EVT 4	P	P	C	G	E	B	A

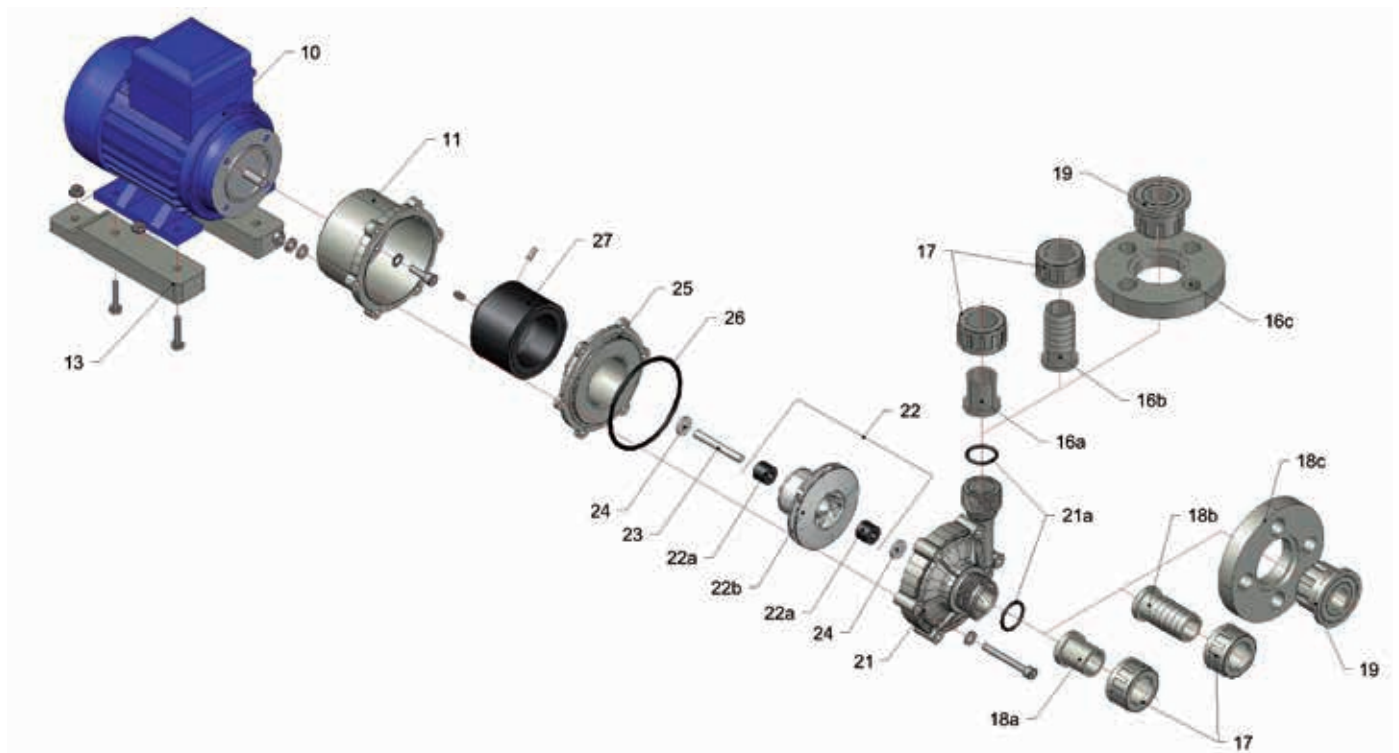
Performance Curve 50 Hz - Rpm: 2800



Performance Curve 60 Hz - Rpm: 3400



Curves refer to water T = 20°C



- | | | | |
|-------------------------|-----------------------|--------------------------------|-----------------------|
| 10 Motor | 17 Discharge Nut | 21a IN/OUT pump housing ORings | 25 Rear casing |
| 11 Bracket | 18a Suction union end | 22 Impeller assembly | 26 Pump housing ORing |
| 13 Plastic Pump feet | 18b Suction hose barb | 22a impeller bushes | 27 Drive magnet |
| 16a Discharge union end | 18c Suction flange | 22b Impeller magnet | |
| 16b Discharge hose barb | 19 Flange Adapter | 23 Shaft | |
| 16c Discharge flange | 21 Pump housing | 24 Thrust Ring couple | |

LAFONTE.EU srl may modify data any time, without notice, in order to get product enhancement