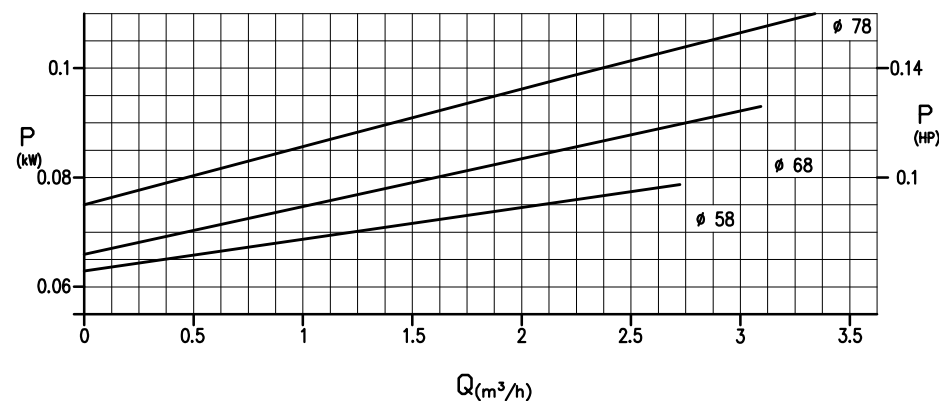
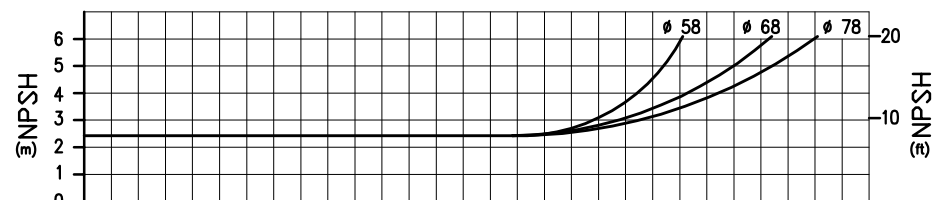
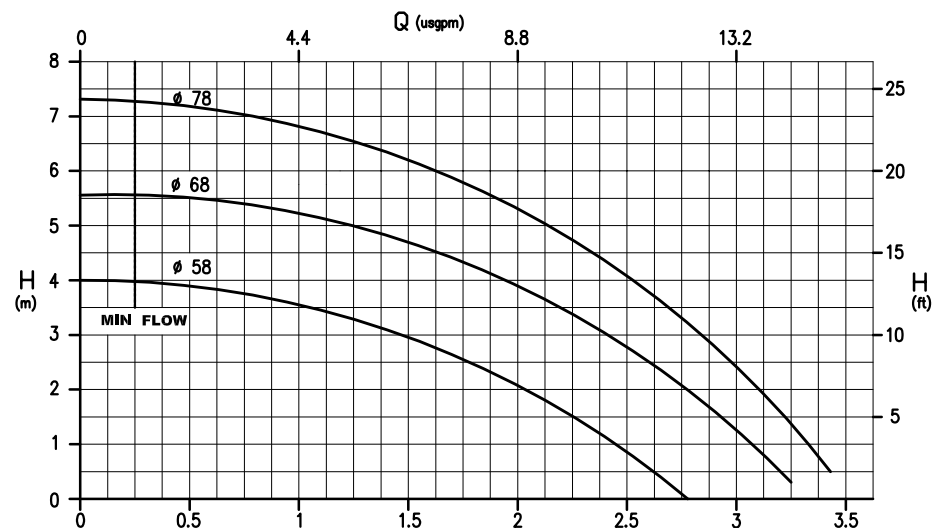


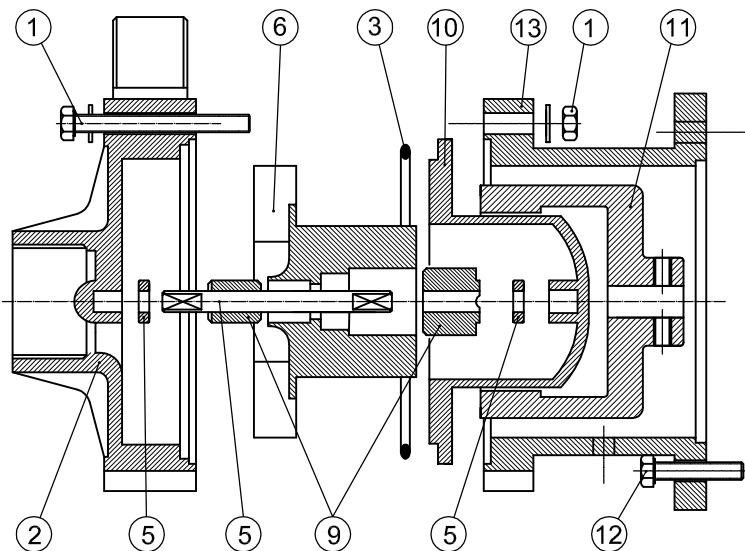
**FEATURES/CARATTERISTICHE**

Materials available/Materiali disponibili: PP; PVDF  
 Max flow/Portata massima: 3.5 m<sup>3</sup>/h  
 Max head/Prevalenza massima: 7 m  
 Max temperature/Temperatura massima: PP 60°C; PVDF 90°C  
 Max viscosity/Viscosità massima: 200 cSt  
 Pressure rating/Pressione nominale massima: NP/PN 6 @ 20°C  
 Pump weight/Peso pompa: PP: 0.95Kg; PVDF: 1.05Kg  
 Motor weight/Peso motore (approx.): 0.12 kW: 3.3 Kg

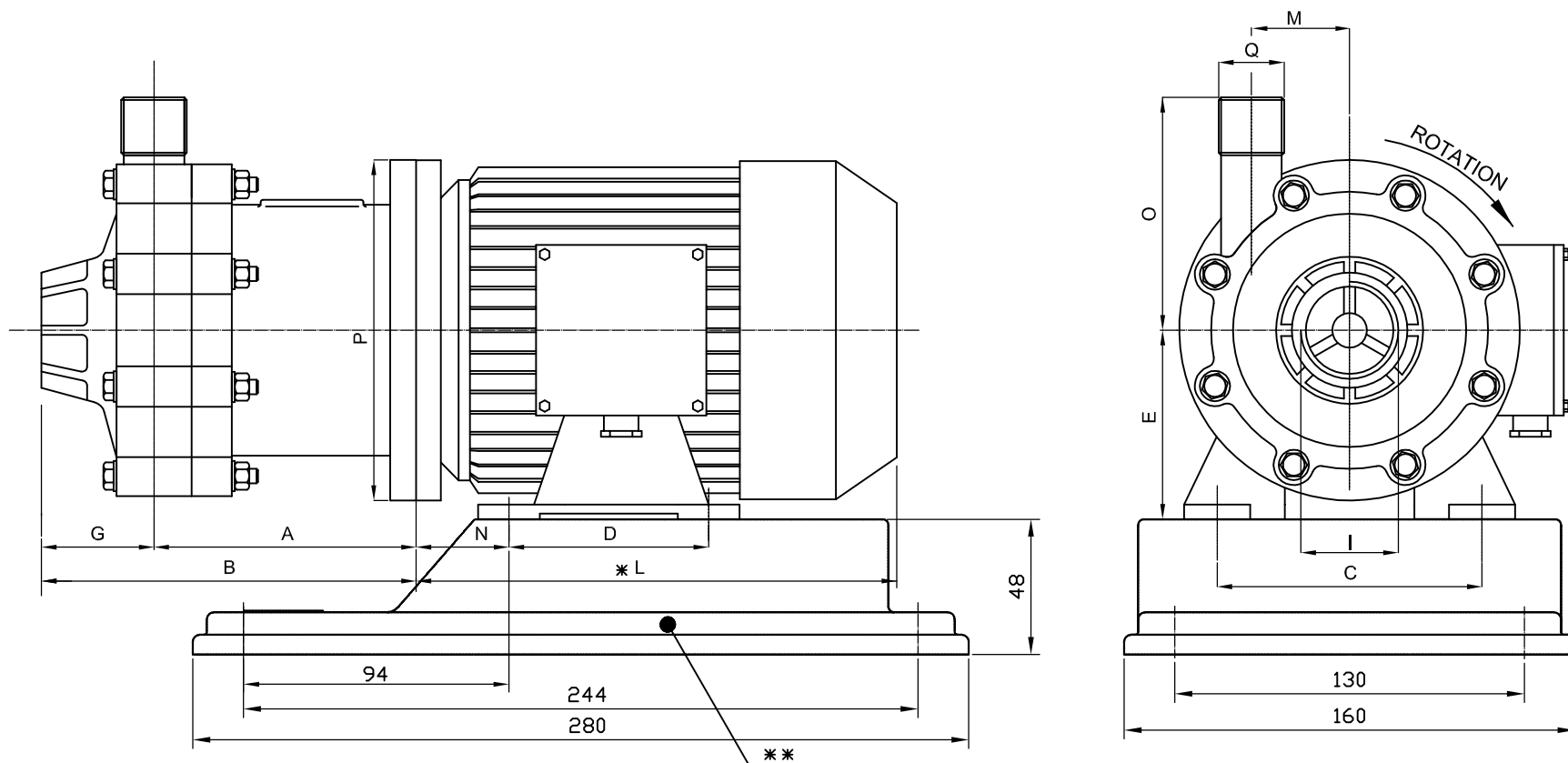
**CURVES/CURVE 50HZ-2900 RPM**



**SECTION AND PARTS LIST/SEZIONE E LISTA PARTI**



POS.	1	2	3	5	6	9	10	11	12	13
PART DESCR.	SET SCREWS	PUMP HEAD	O - RING	SHAFT + RING	IMPELLER-INTERNAL MAGNET	BEARING	REAR CASING	EXT. MAGNET	SET SCREWS	BRACKET
MAT.	AISI304	PP+GF PVDF+CF	EPDM VITON	AlE03	PP PVDF	PTFEC	PP+GF PVDF+CF	C40 NeFeb	AISI304	PP



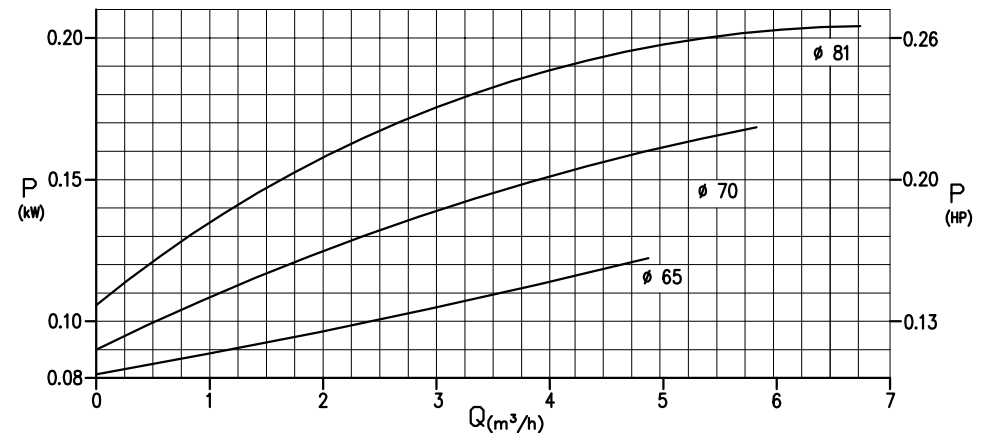
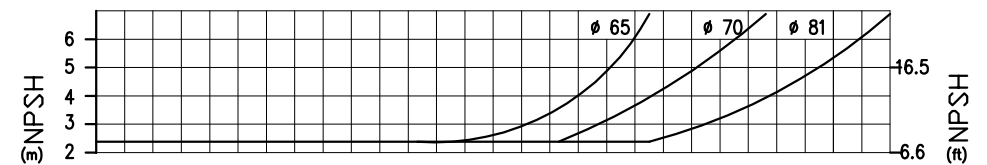
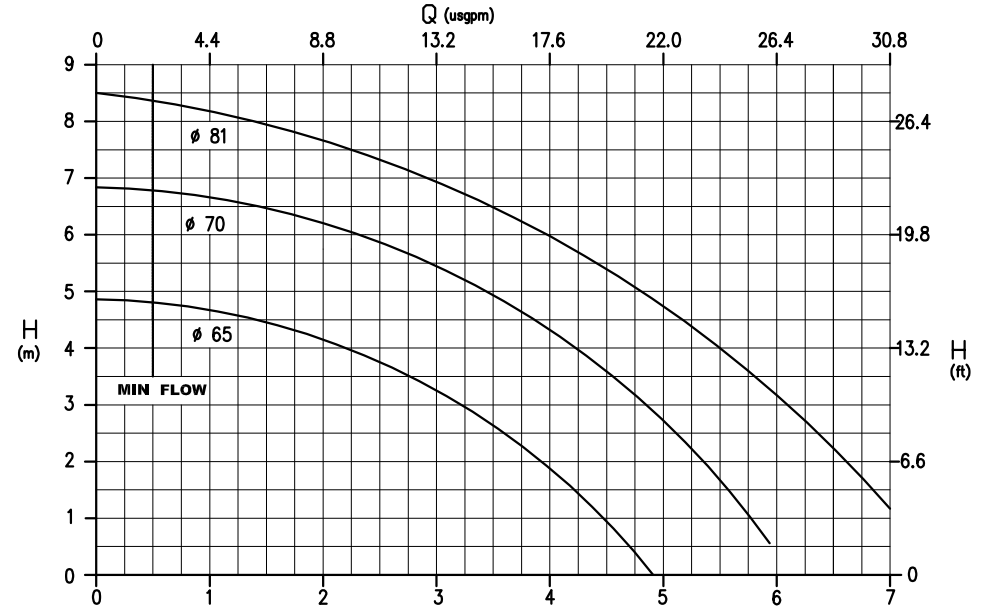
PUMP TYPE	MOTOR FLANGE B3-B5	POT. Kw	DIMENSIONS - mm -												
			A	B	C	D	E	G	I	*L	M	N	O	P	Q
HTM 4	G 56 B	0.12	76	115	90	71	56	39	1"	176	34	36	80	120	1/2"
									FEMALE						MALE

\* Different according to the manufacturer / Diverso a seconda del fornitore  
 \*\* OPTIONAL UPON REQUEST/SU RICHIESTA: Baseplate/Piede d'appoggio

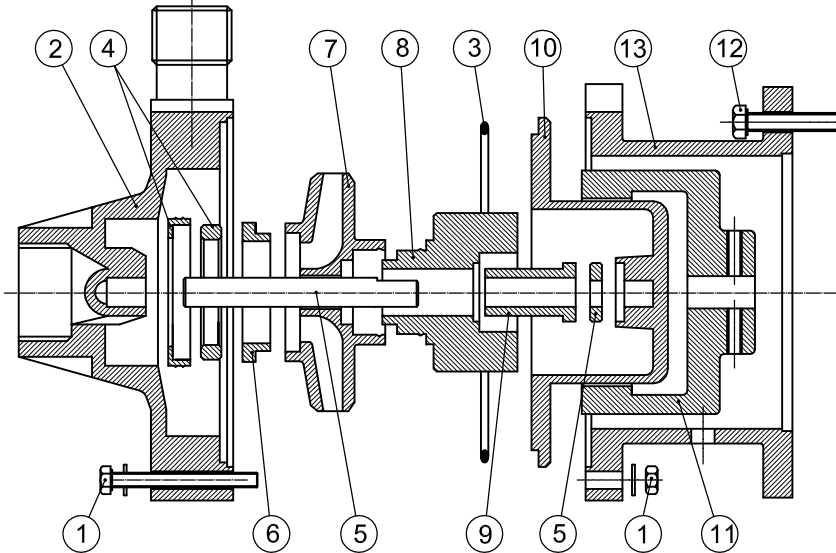
**FEATURES/CARATTERISTICHE**

Materials available/Materiali disponibili: PP;PVDF  
 Max flow/Portata massima: 6.5 m<sup>3</sup>/h  
 Max head/Prevalenza massima: 8.5 m  
 Max temperature/Temperatura massima: PP 60°C;PVDF 90°C  
 Max viscosity/Viscosità massima: 200 cSt  
 Pressure rating/Pressione nominale massima: NP/PN 6 @ 20°C  
 Pump weight/Peso pompa: PP:1.6 Kg;PVDF:1.8 Kg  
 Motor weight/Peso motore (approx.): 0.25kW: 4.4 Kg

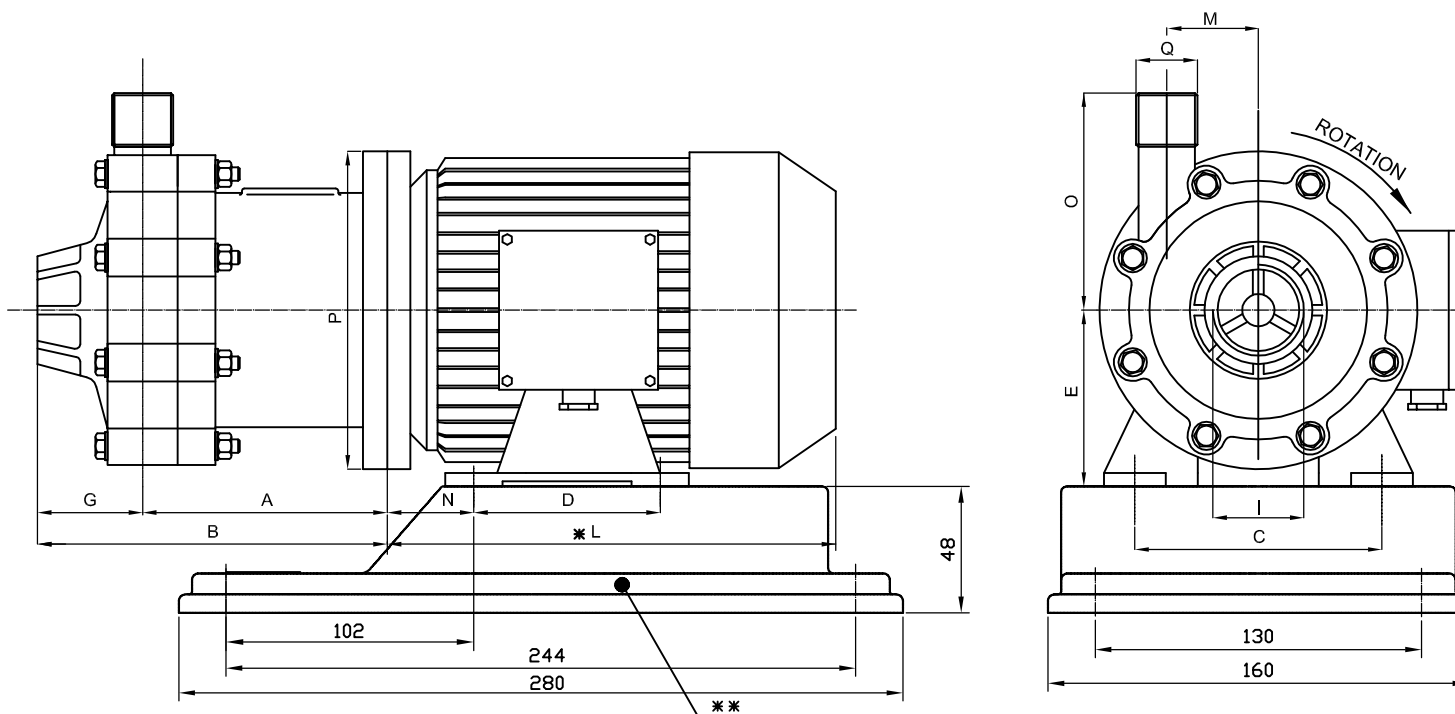
**CURVES/CURVE 50HZ-2900 RPM**



**SECTION AND PARTS LIST/SEZIONE E LISTA PARTI**

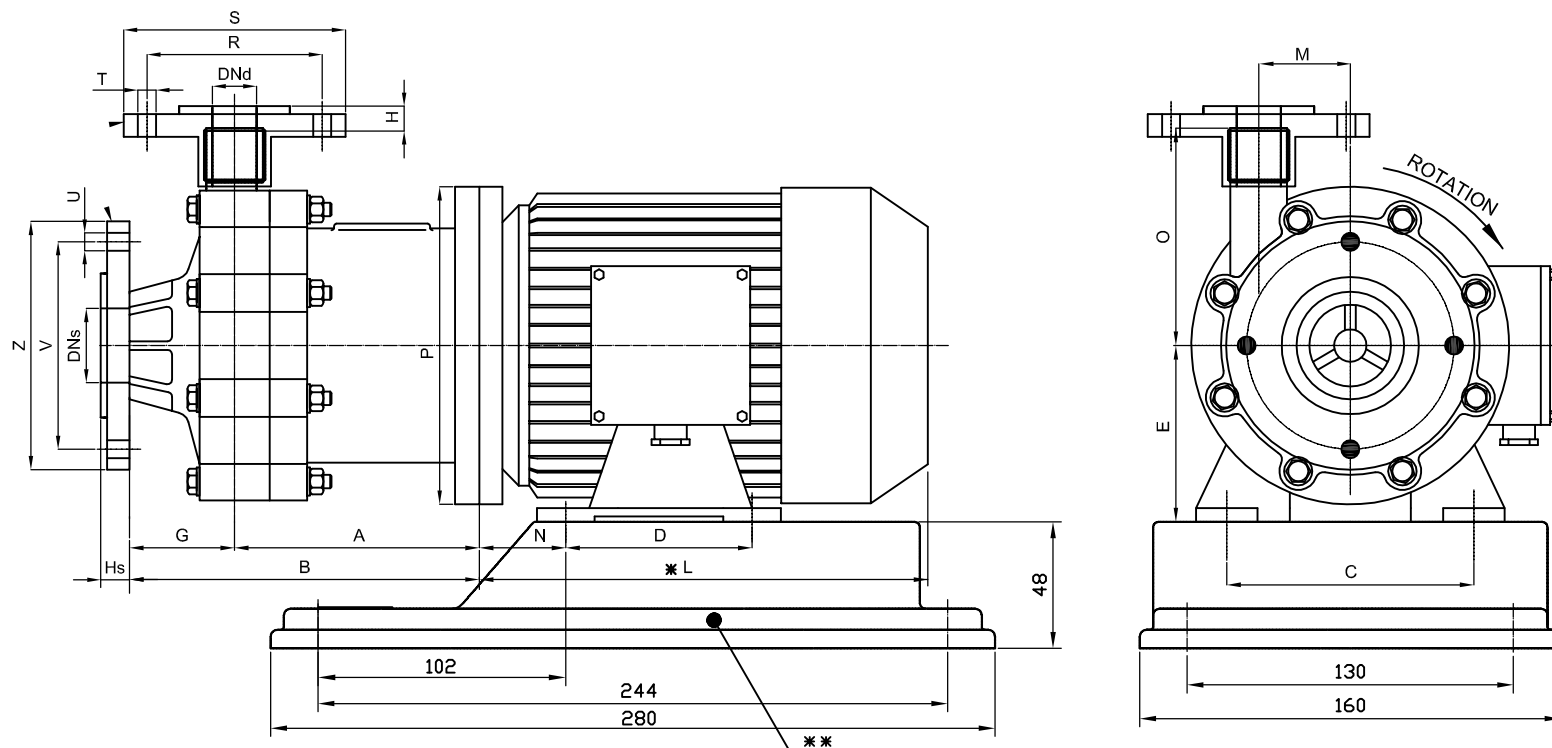


POS.	1	2	3	4	5	6	7	8	9	10	11	12	13
PART DESCR.	SET SCREWS	FRONT CASING	O-RING	CASING THRUST BUSH	SHAFT + RING	IMPELLER THRUST BEARING	IMPELLER	INT. MAGNET	BEARING	REAR CASING	EXT. MAGNET	SET SCREWS	BRACKET
MATERIALS	AISI304	PP+GF PVDF+CF	EPDM VITON	Al <sub>2</sub> O <sub>3</sub> EPDM VITON	Al <sub>2</sub> O <sub>3</sub>	PTFEC	PP PVDF	PP PVDF NeFeb	PTFEC	PP+GF PVDF+CF	Fe NeFeb	AISI304	PP



PUMP TYPE	MOTOR FLANGE B3-B5	POT. Kw	DIMENSIONS - mm -												
			A	B	C	D	E	G	I	*L	M	N	O	P	Q
HTM 6	G 63 B	0.25	85	143	100	80	63	59	1"	191	45	40	98	140	3/4"
									FEMALE						MALE

\* Different according to the manufacturer / Diverso a seconda del fornitore  
 \*\* OPTIONAL-UPON REQUEST/SU RICHIESTA: Baseplate/Piede d'appoggio - Flanges/Flange



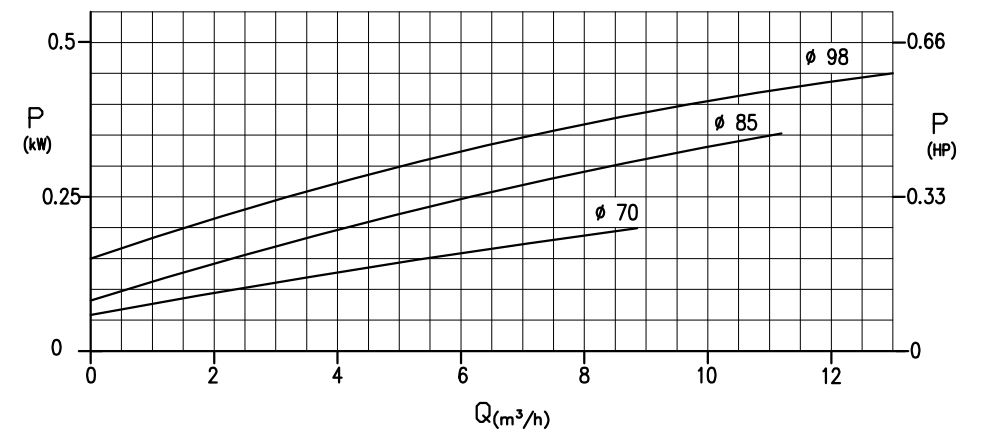
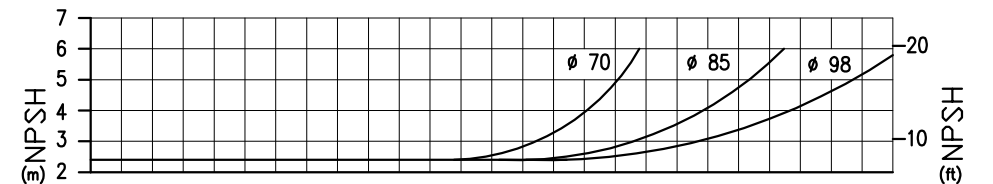
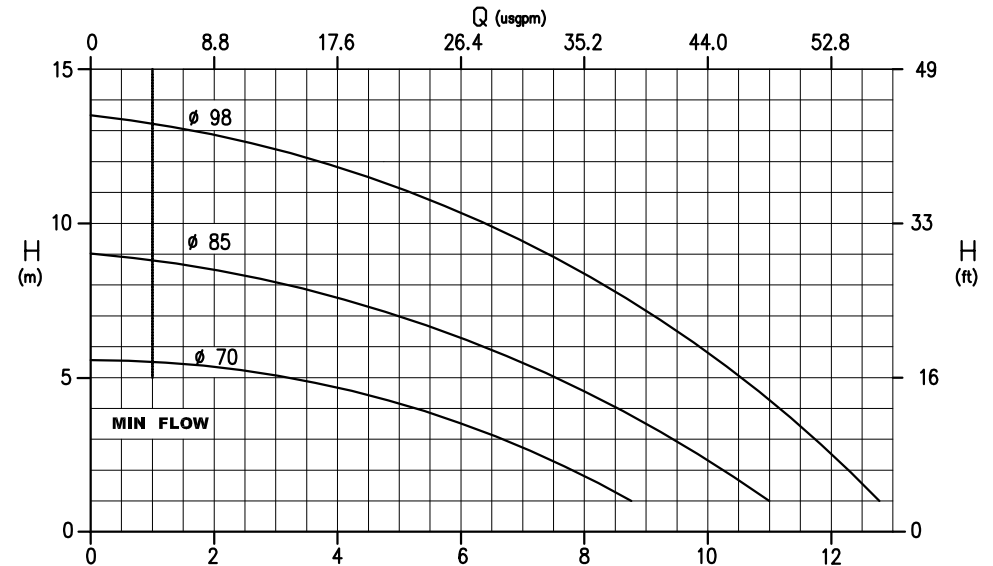
PUMP TYPE	MOTOR FLANGE B3-B5	POT. Kw	DIMENSIONS - mm -													FLANGES DIN PN 10-DIMENSIONS - mm -							
			A	B	C	D	E	G	H	Hs	*L	M	N	O	P	R	S	T	U	V	Z	DNs	DNd
HTM 6	G 63 B	0.25	85	143	100	80	63	59	6	22	191	45	40	98	140	75	105	14	14	85	115	25	20

\* Different according to the manufacturer / Diverso a seconda del fornitore  
 \*\* OPTIONAL-UPON REQUEST/SU RICHIESTA: Baseplate/Piede d'appoggio

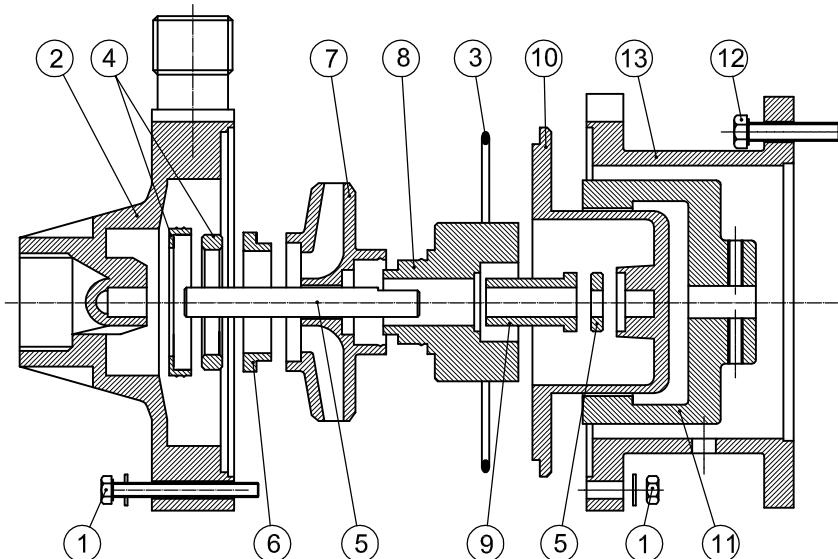
FEATURES/CARATTERISTICHE

Materials available/Materiali disponibili:	PP; PVDF
Max flow/Portata massima:	13 m <sup>3</sup> /h
Max head/Prevalenza massima:	14 m
Max temperature/Temperatura massima:	PP 60°C; PVDF 90°C
Max viscosity/Viscosità massima:	200 cSt
Pressure rating/Pressione nominale massima:	NP/PN 6 @ 20°C
Pump weight/Peso pompa:	PP: 2.6 Kg; PVDF: 2.9 Kg
Motor weight/Peso motore (approx.):	0.55kW: 8.8 Kg

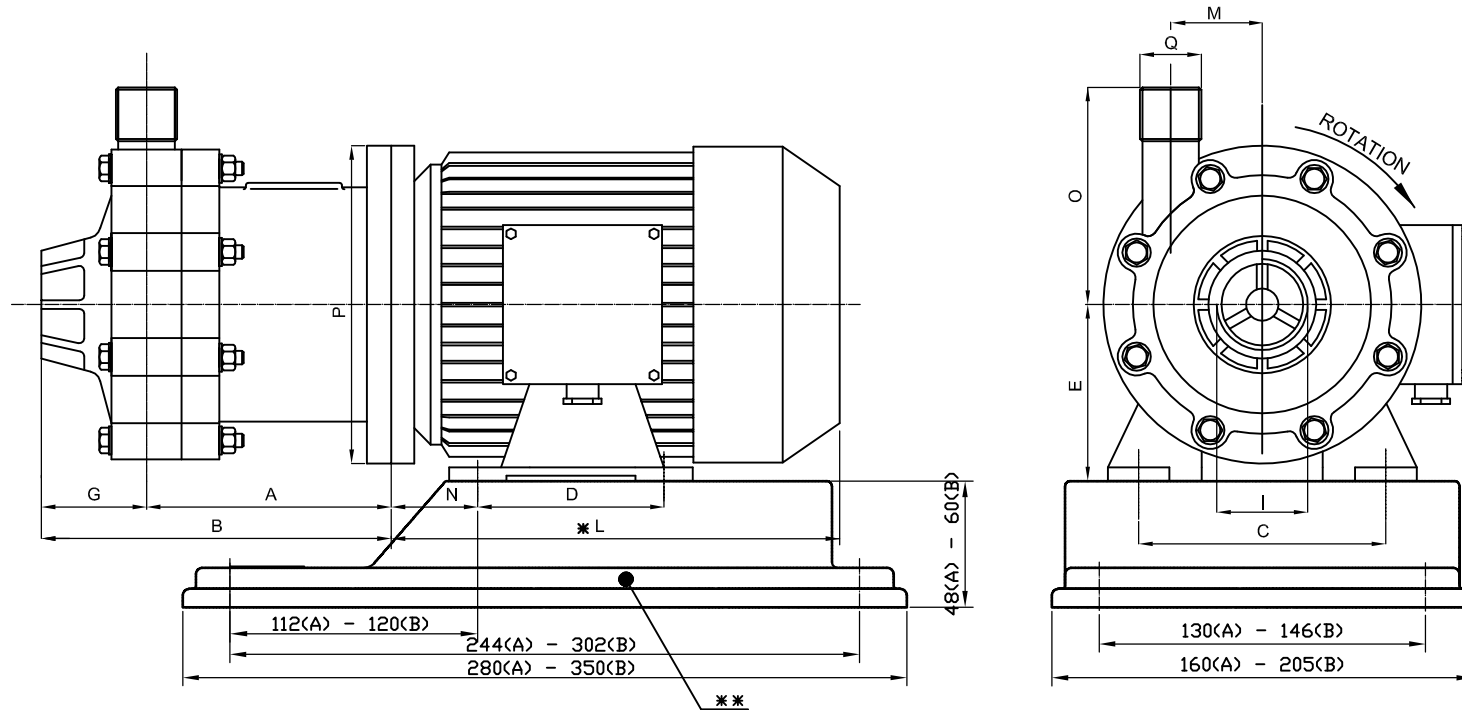
CURVES/CURVE 50HZ-2900 RPM



SECTION AND PARTS LIST/SEZIONE E LISTA PARTI



POS.	1	2	3	4	5	6	7	8	9	10	11	12	13
PART DESCR.	SET SCREWS	FRONT CASING	O-RING	CASING THRUST BUSH	SHAFT RING	IMPELLER THRUST BEARING	IMPELLER	INT. MAGNET	BEARING	REAR CASING	EXT. MAGNET	SET SCREWS	BRACKET
MATERIALS	AISI304	PP+GF PVDF+CF	EPDM VITON	Al <sub>2</sub> O <sub>3</sub> EPDM VITON	Al <sub>2</sub> O <sub>3</sub>	PTFEC	PP PVDF	PP PVDF NeFeb	PTFEC	PP+GF PVDF+CF	Fe NeFeb	AISI304	PP

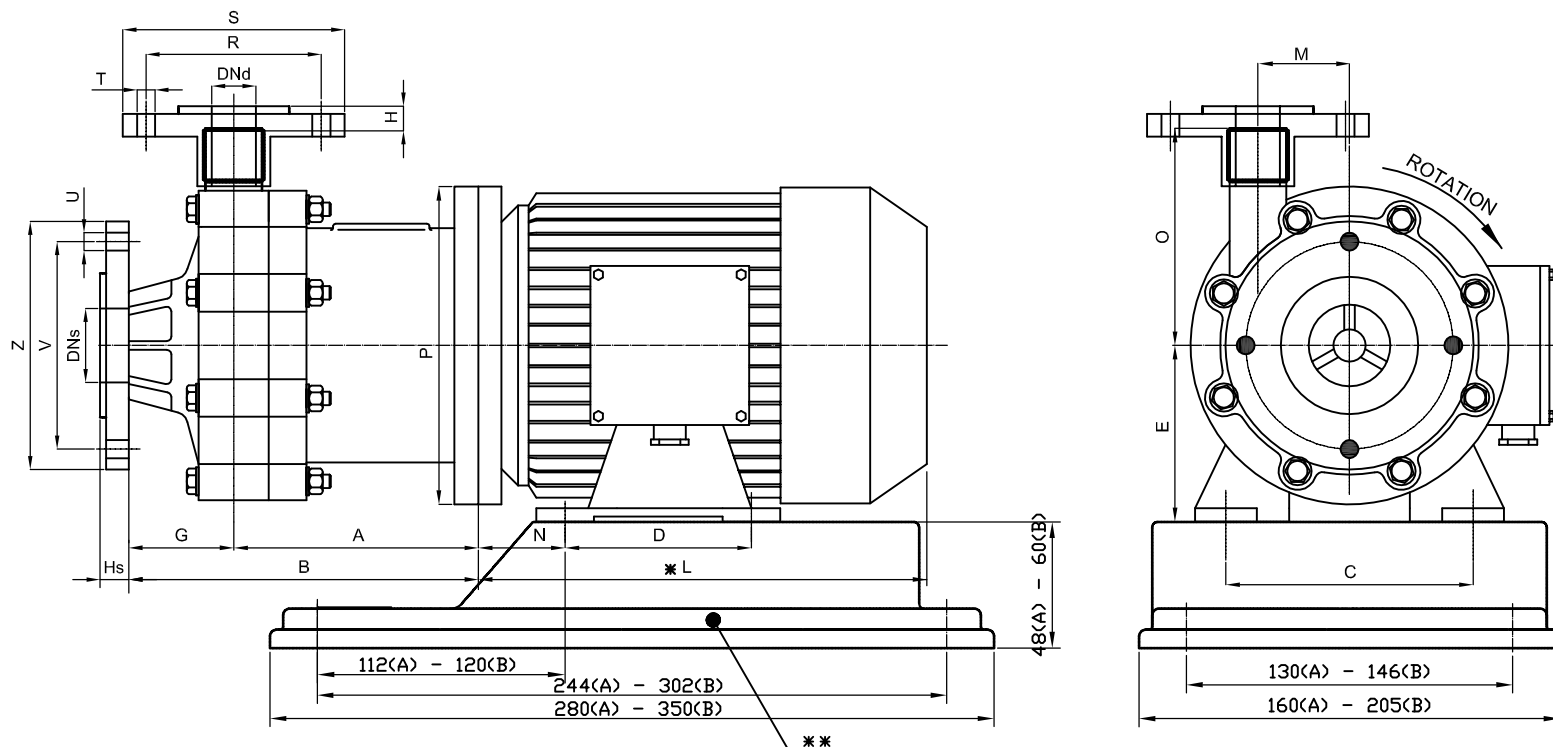


MOTOR SIZE 71 BASE TYPE (A)  
MOTOR SIZE 80 BASE TYPE (B)

PUMP TYPE	MOTOR FLANGE B3 - B5	POT kW	BASE TYPE	DIMENSIONS - mm -												
				A	B	C	D	E	G	I	*L	M	N	O	P	Q
HTM 10	G 71 2B	0.55	A	112	180	112	90	71	70	1 1/2 FEMALE	215	45	45	100	160	1" MALE
HTM 10	G 80 B	1.1	B	122	190	125	100	71	70	1 1/2 FEMALE	232	45	50	100	200	1" MALE

\* Different according to the manufacturer / Diverso a seconda del fornitore

\*\* OPTIONAL-UPON REQUEST/SU RICHIESTA: Baseplate/Piede d'appoggio - Flanges/Flange



MOTOR SIZE 71 BASE TYPE (A)

MOTOR SIZE 80 BASE TYPE (B)

PUMP TYPE	MOTOR FLANGE B3 - B5	POT kW	BASE TYPE	DIMENSIONS - mm -													FLANGES DIN PN 10-DIMENSIONS - mm -							
				A	B	C	D	E	Hs	G	H	*L	M	N	O	P	R	S	T	U	V	Z	DNs	DNd
HTM 10	G 71 2B	0.55	A	112	180	112	90	71	20	70	9	215	45	45	100	160	85	115	14	18	110	150	40	25
HTM 10	G 80 B	1.1	B	122	190	125	100	71	20	70	9	232	45	50	100	200	85	115	14	18	110	150	40	25

\* Different according to the manufacturer / Diverso a seconda del fornitore

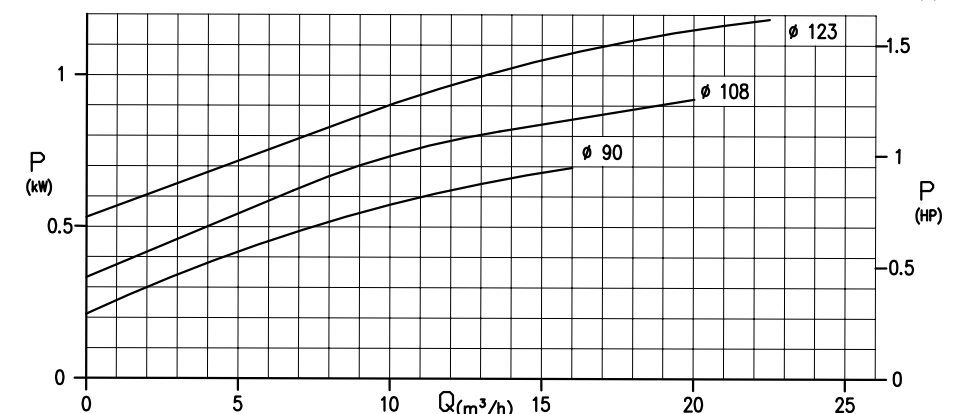
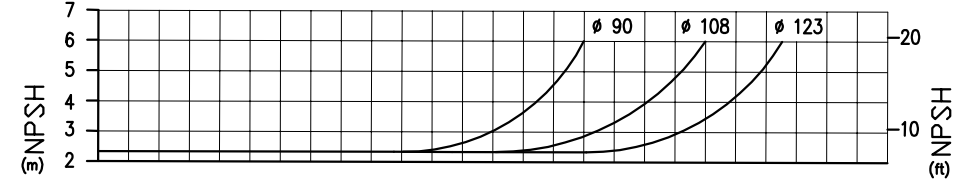
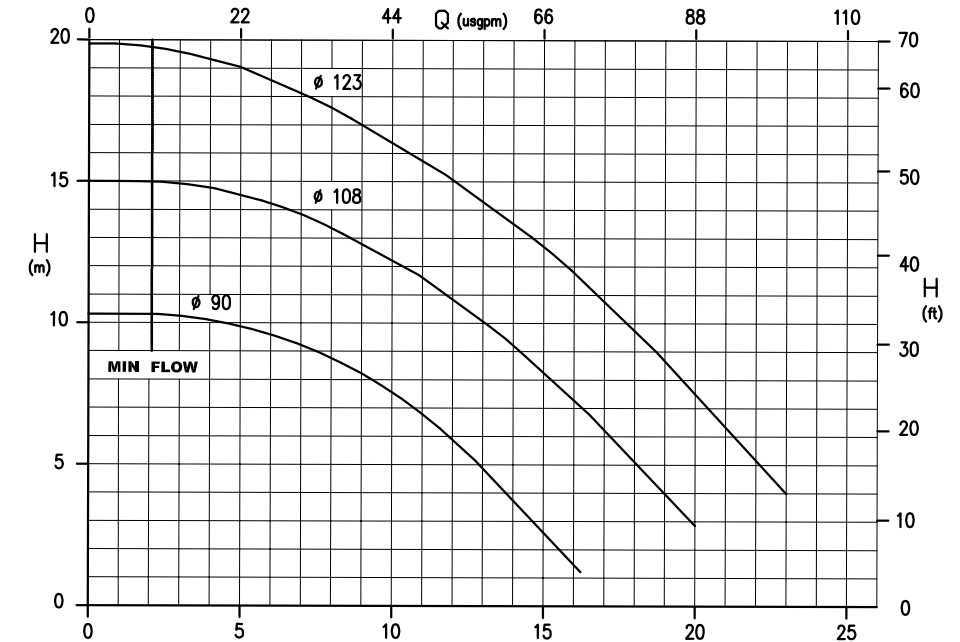
\*\* OPTIONAL-UPON REQUEST/SU RICHIESTA: Baseplate/Piede d'appoggio



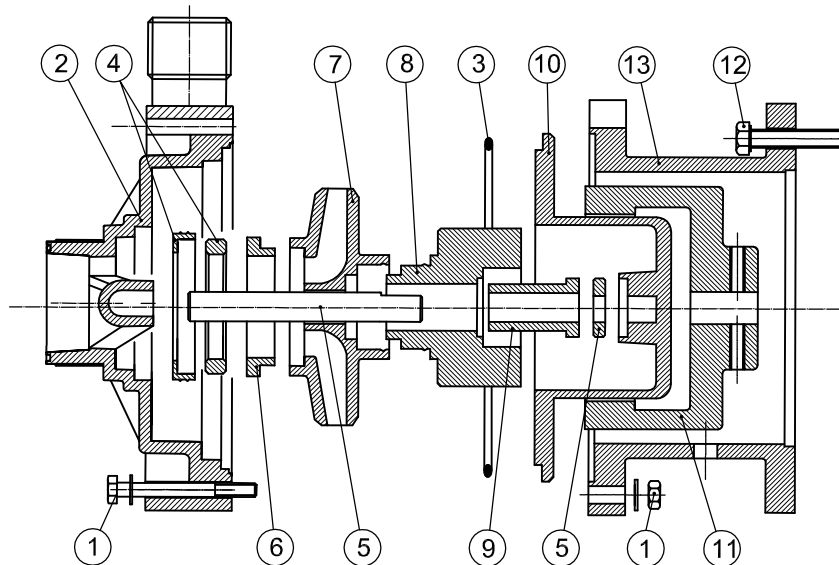
**FEATURES/CARATTERISTICHE**

Materials available/Materiali disponibili:	PP;PVDF
Max flow/Portata massima:	23 m <sup>3</sup> /h
Max head/Prevalenza massima:	20 m
Max temperature/Temperatura massima:	PP 60°C;PVDF 90°C
Max viscosity/Viscosità massima:	200 cSt
Pressure rating/Pressione nominale massima:	NP/PN 6 @ 20°C
Pump weight/Peso pompa:	PP: 5.8 Kg;PVDF: 6.6 Kg
Motor weight/Peso motore (approx.):	1.1kW: 13 Kg 1.5KW: 13 Kg

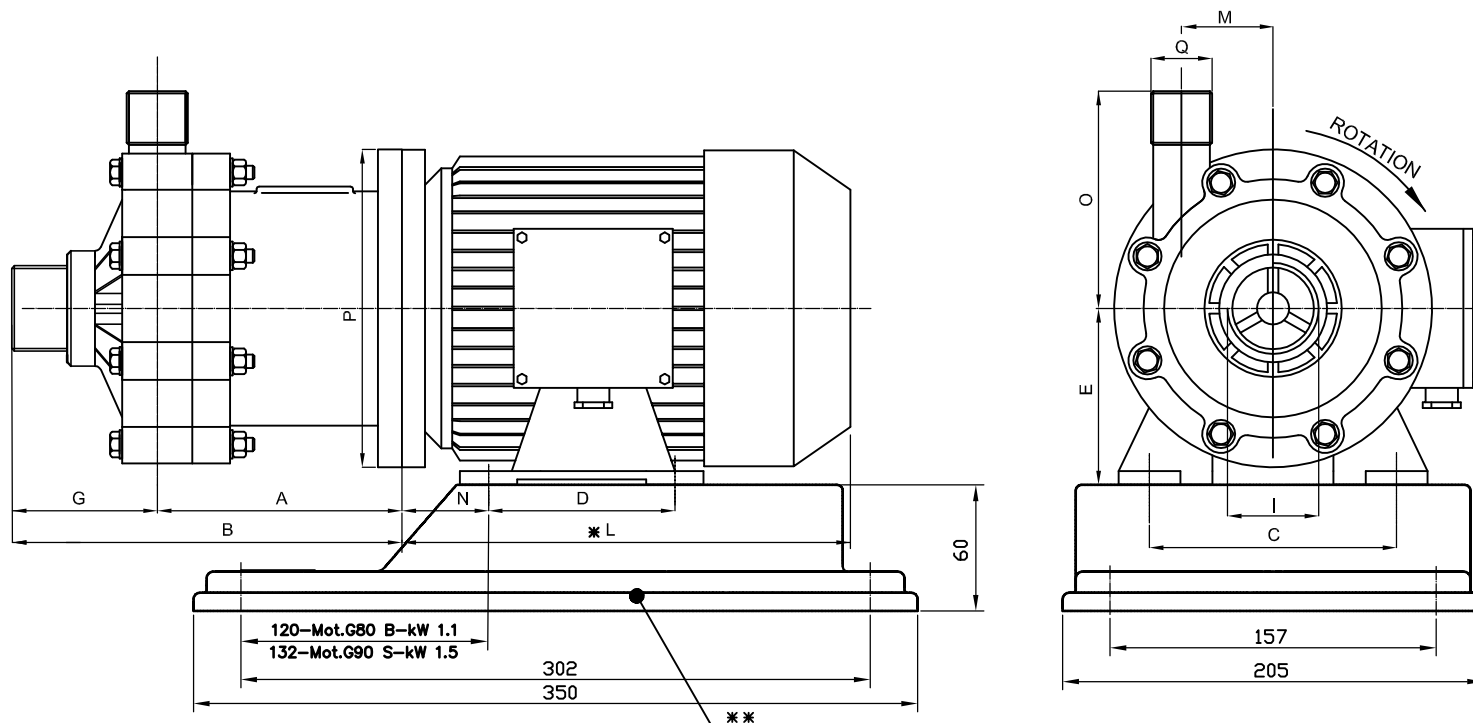
**CURVES/CURVE 50HZ-2900 RPM**



**SECTION AND PARTS LIST/SEZIONE E LISTA PARTI**

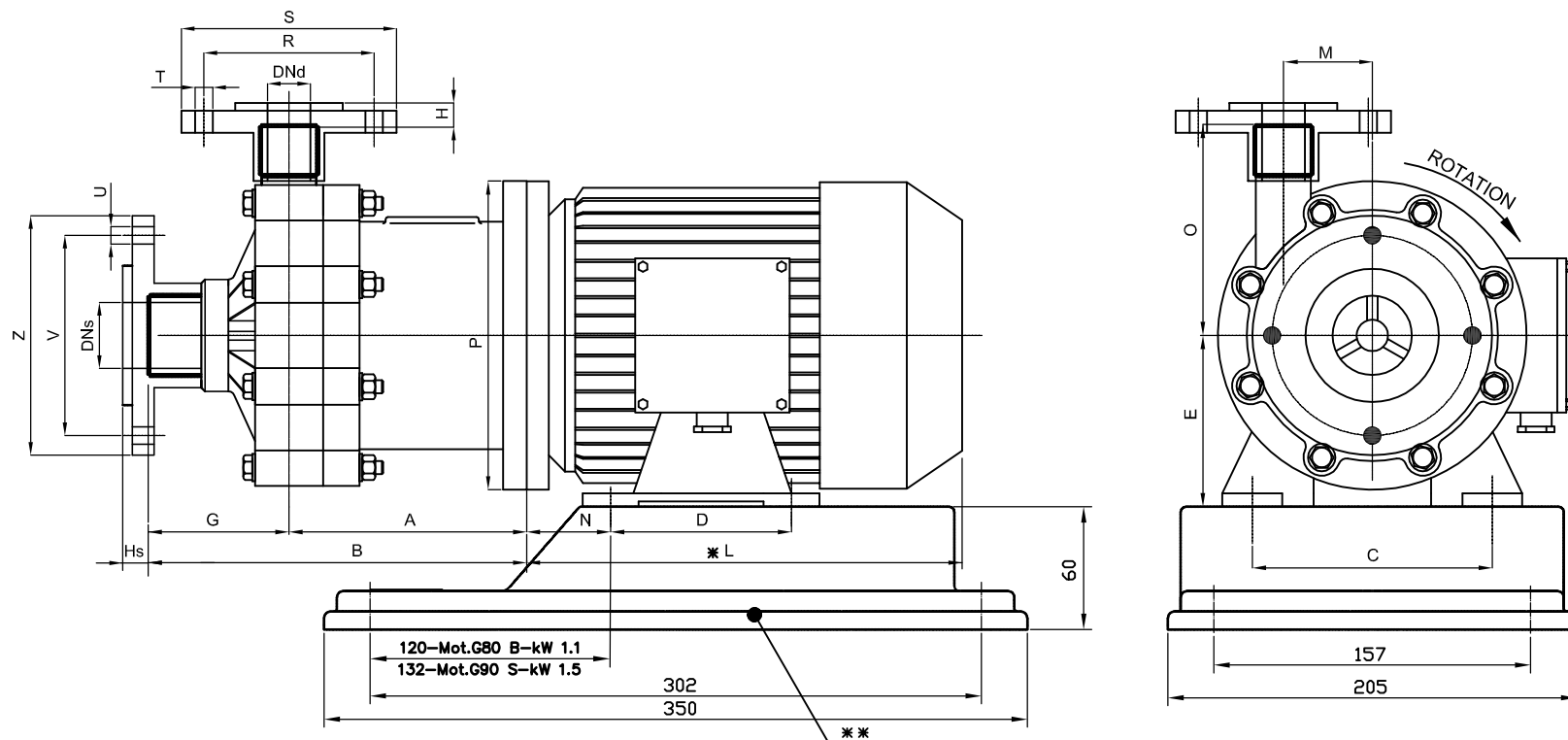


POS.	1	2	3	4	5	6	7	8	9	10	11	12	13
PART DESCR.	SET SCREWS	FRONT CASING	O-RING	CASING THRUST BUSH	SHAFT + RING	IMPELLER THRUST BEARING	IMPELLER	INT. MAGNET	BEARING	REAR CASING	EXT. MAGNET	SET SCREWS	BRACKET
MATERIALS	AISI304	PP+GF PVDF+CF	EPDM VITON	Al <sub>2</sub> O <sub>3</sub> EPDM VITON	Al <sub>2</sub> O <sub>3</sub>	PTFEC	PP PVDF	PP PVDF NeFeb	PTFEC	PP+GF PVDF+CF	Fe NeFeb	AISI304	PP



PUMP TYPE	MOTOR FLANGE B3-B5	POT. Kw	DIMENSIONS - mm -												
			A	B	C	D	E	G	I	*L	M	N	O	P	Q
HTM 15	G 80 B	1.1	151	231	125	100	80	80	2" MALE	232	66	50	135	200	1 1/2" MALE
HTM 15	G 90 S	1.5	161	241	140	100	90	80	2" MALE	256	66	56	135	200	1 1/2" MALE

\* Different according to the manufacturer / Diverso a seconda del fornitore  
 \*\* OPTIONAL-UPON REQUEST/SU RICHIESTA: Baseplate/Piede d'appoggio - Flanges/Flange



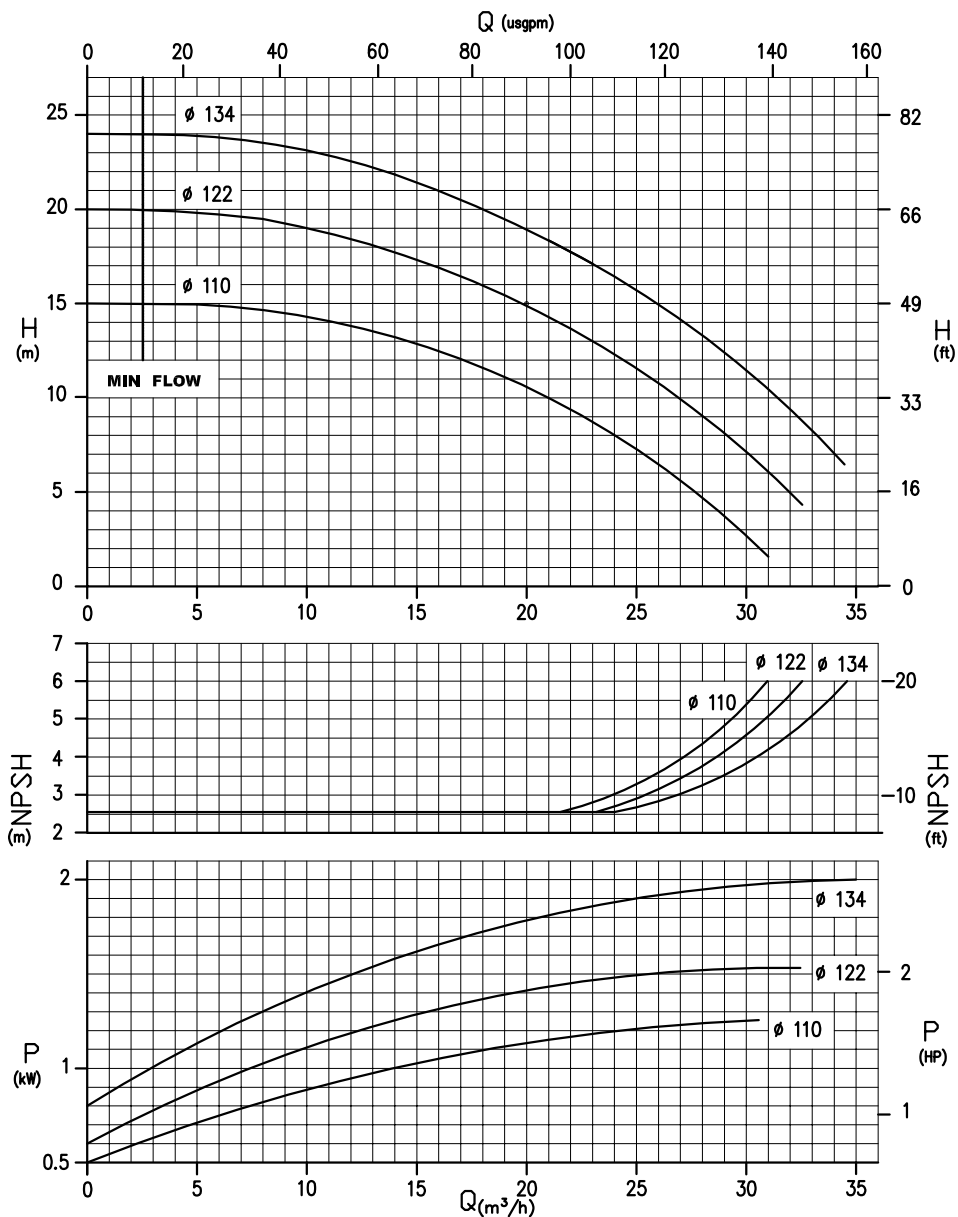
PUMP TYPE	MOTOR FLANGE B3-B5	POT. Kw	DIMENSIONS - mm -												FLANGES DIN PN 10-DIMENSIONS - mm -									
			A	B	C	D	E	Hs	G	H	*L	M	N	O	P	R	S	T	U	V	Z	DNs	DNd	
HTM 15	G 80 B	1.1	151	231	125	100	80	14	80	13	232	66	50	135	200	110	153	18	18	125	168	50	40	
HTM 15	G 90 S	1.5	161	241	140	100	90	14	80	13	256	66	56	135	200	110	153	18	18	125	168	50	40	

\* Different according to the manufacturer / Diverso a seconda del fornitore  
\*\* OPTIONAL-UPON REQUEST/SU RICHIESTA: Baseplate/Piede d'appoggio

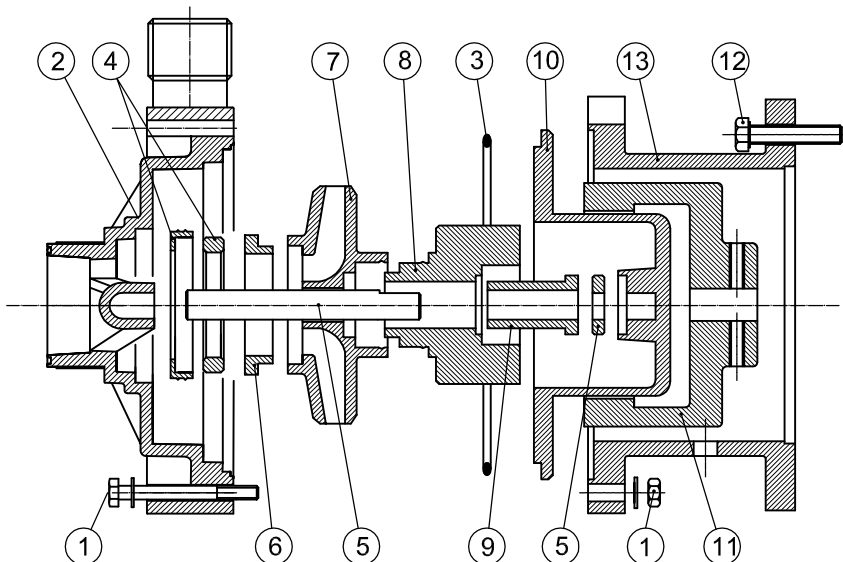
FEATURES/CARATTERISTICHE

Materials available/Materiali disponibili: PP; PVDF  
 Max flow/Portata massima: 35 m<sup>3</sup>/h  
 Max head/Prevalenza massima: 24 m  
 Max temperature/Temperatura massima: PP 60°C; PVDF 90°C  
 Max viscosity/Viscosità massima: 200 cSt  
 Pressure rating/Pressione nominale massima: NP/PN 6 @ 20°C  
 Pump weight/Peso pompa: PP: 8.0 Kg; PVDF: 8.9 Kg  
 Motor weight/Peso motore (approx.):  
 2.2 kW: 13 Kg  
 3.0 kW: 23 Kg  
 4.0 kW: 31 Kg

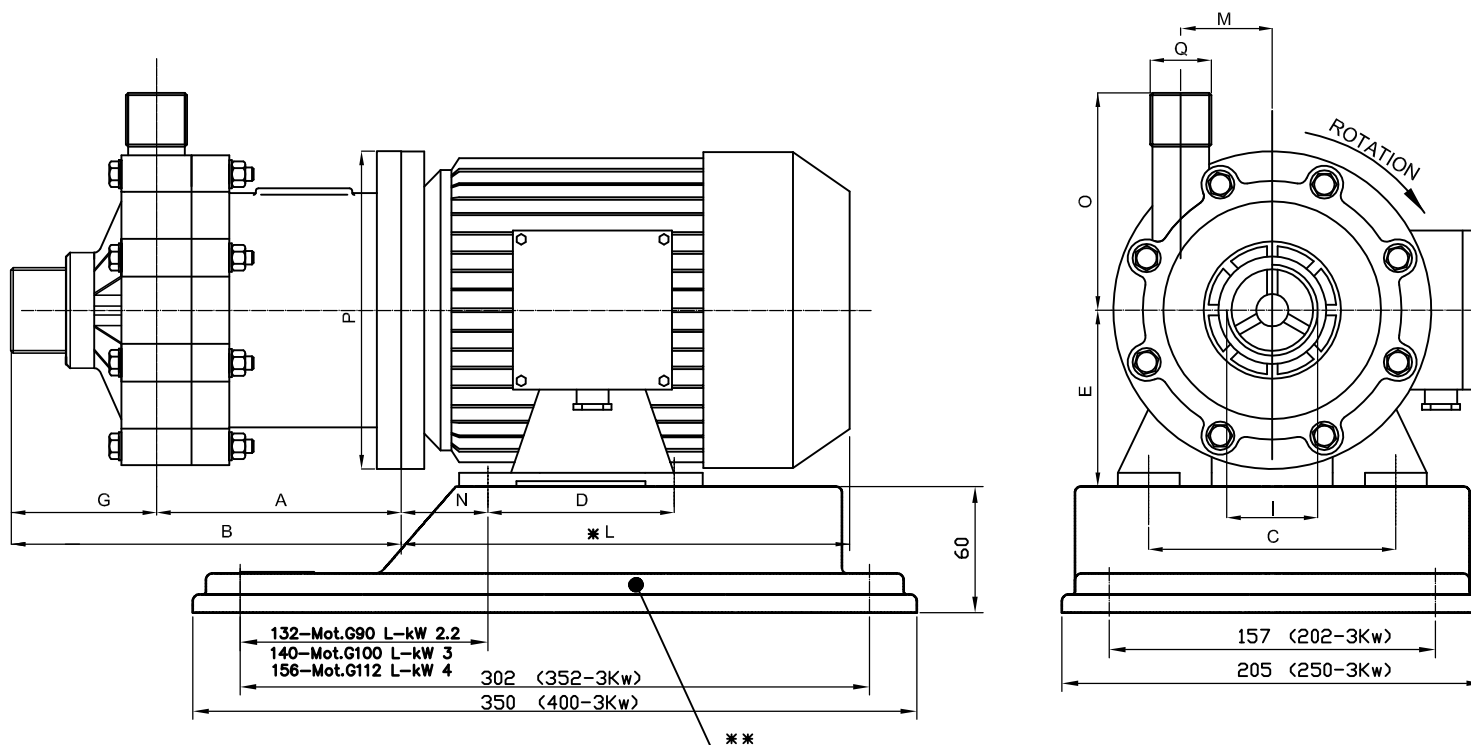
CURVES/CURVE 50HZ-2900 RPM



SECTION AND PARTS LIST/SEZIONE E LISTA PARTI

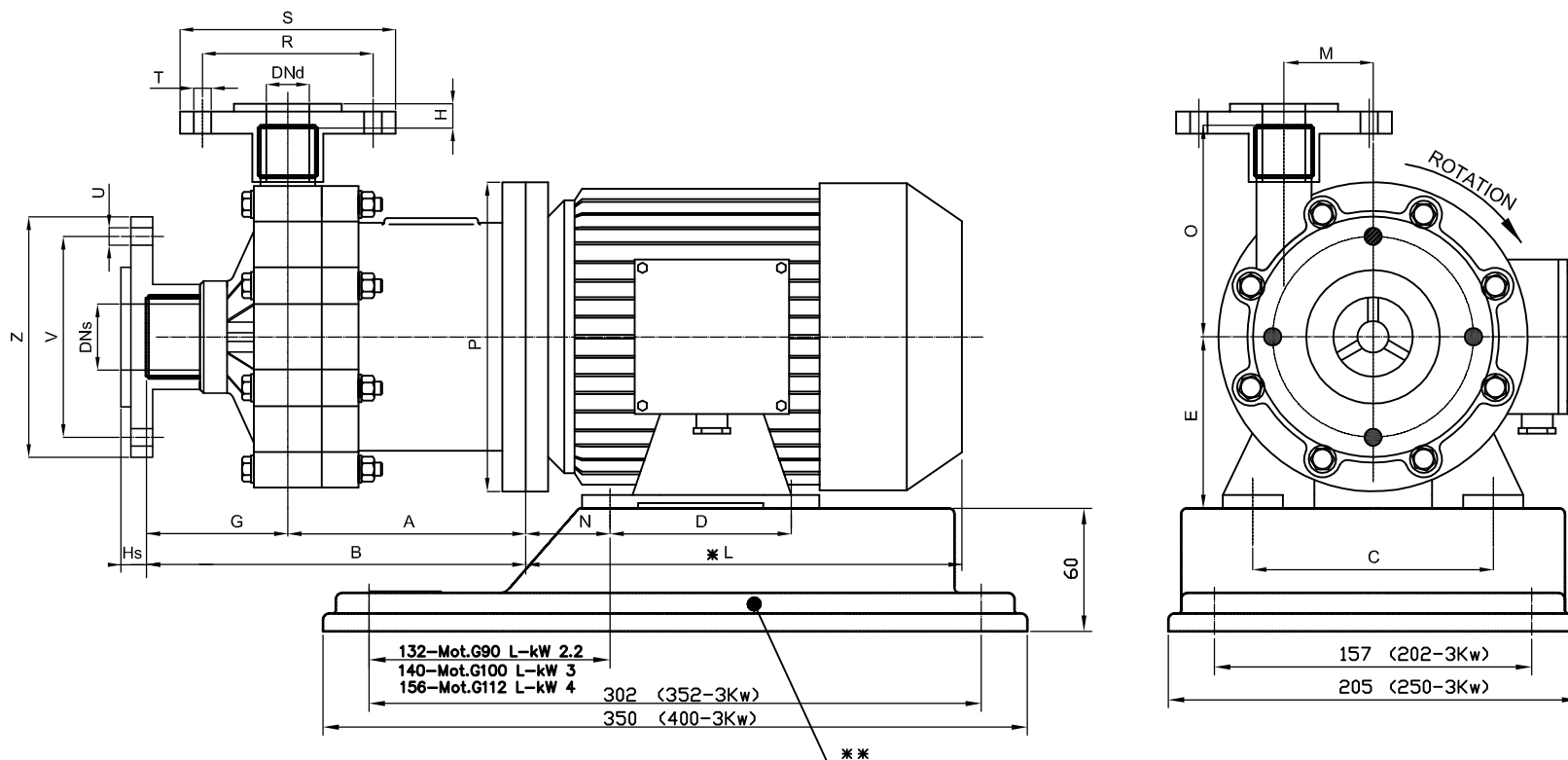


POS.	1	2	3	4	5	6	7	8	9	10	11	12	13
PART DESCR.	SET SCREWS	FRONT CASING	O-RING	CASING THRUST BUSH	SHAFT+ RING	IMPELLER THRUST BEARING	IMPELLER	INT. MAGNET	BEARING	REAR CASING	EXT. MAGNET	SET SCREWS	BRACKET
MATERIALS	AISI304	PP+GF PVDF+CF	EPDM VITON	Al <sub>2</sub> O <sub>3</sub> EPDM VITON	Al <sub>2</sub> O <sub>3</sub>	PTFEC	PP PVDF	PP PVDF NeFeb	PTFEC	PP+GF PVDF+CF	Fe NeFeb	AISI304	PP



PUMP TYPE	MOTOR FLANGE B3-B5	POT. Kw	DIMENSIONS - mm -												
			A	B	C	D	E	G	I	*L	M	N	O	P	Q
HTM 31	G 90 L	2.2	183	274	140	125	90	91	2 1/2" MALE	280	66	56	140	200	2" MALE
HTM 31	G 100 L	3	203	294	160	140	100	91	2 1/2" MALE	315	66	63	140	250	2" MALE
HTM 31	G 112 M	4	203	294	190	140	112	91	2 1/2" MALE	325	66	70	140	250	2" MALE

\* Different according to the manufacturer / Diverso a seconda del fornitore  
\*\* OPTIONAL-UPON REQUEST/SU RICHIESTA: Baseplate/Piede d'appoggio - Flanges/Flange



PUMP TYPE	MOTOR FLANGE B3-B5	POT. Kw	DIMENSIONS - mm -													FLANGES DIN PN 10-DIMENSIONS - mm -							
			A	B	C	D	E	Hs	G	H	*L	M	N	O	P	R	S	T	U	V	Z	DNs	DNd
HTM 31	G 90 L	2.2	183	274	140	125	90	14	91	13	280	66	56	140	200	125	168	18	18	145	188	65	50
HTM 31	G 100 L	3	203	294	160	140	100	14	91	13	315	66	63	140	250	125	168	18	18	145	188	65	50
HTM 31	G 112 M	4	203	294	190	140	112	14	91	13	325	66	70	140	250	125	168	18	18	145	188	65	50

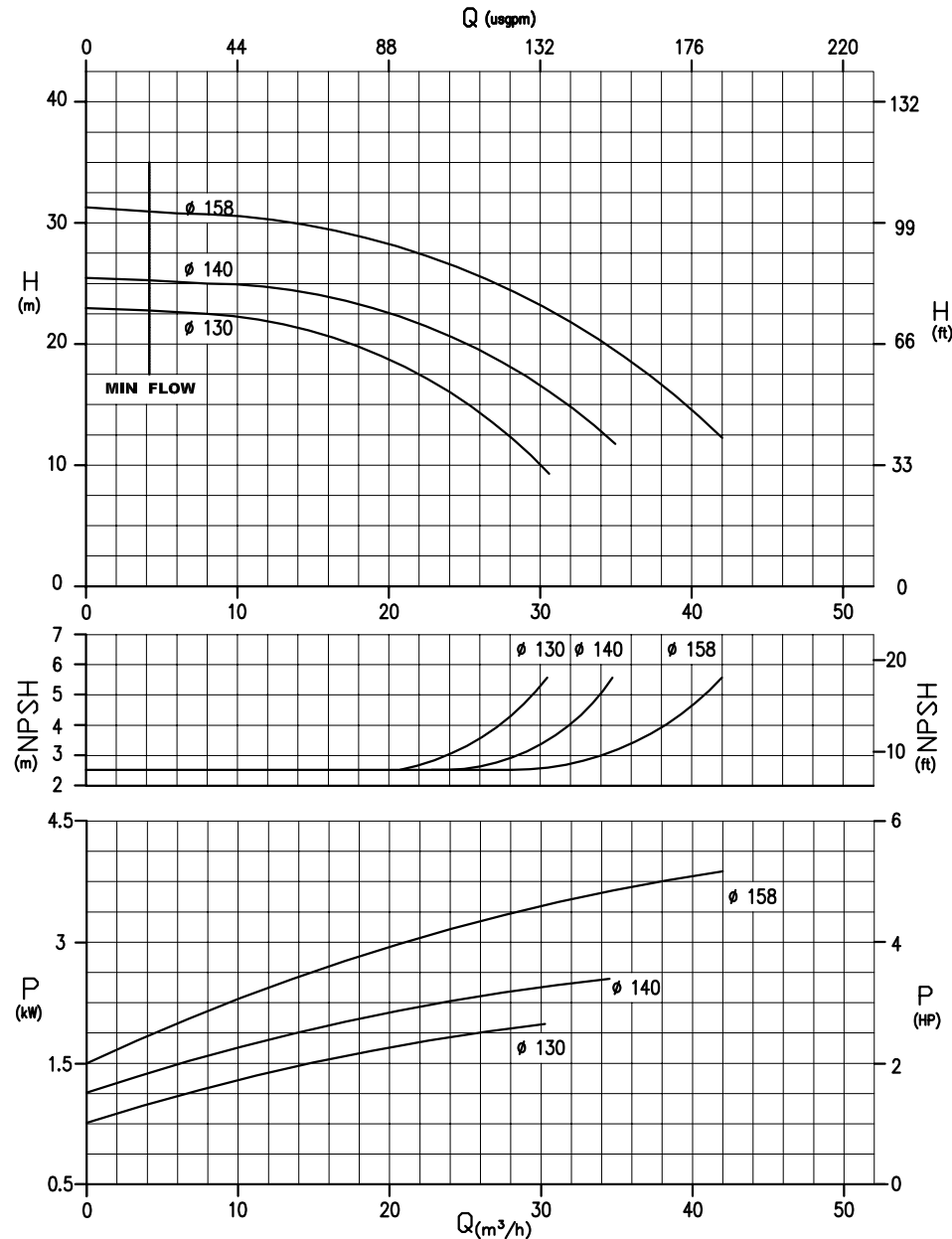
\* Different according to the manufacturer / Diverso a seconda del fornitore  
 \*\* OPTIONAL-UPON REQUEST/SU RICHIESTA: Baseplate/Piede d'appoggio

All data stated are an indication and are liable to change without notice / Tutti i dati sono indicativi e possono variare senza preavviso

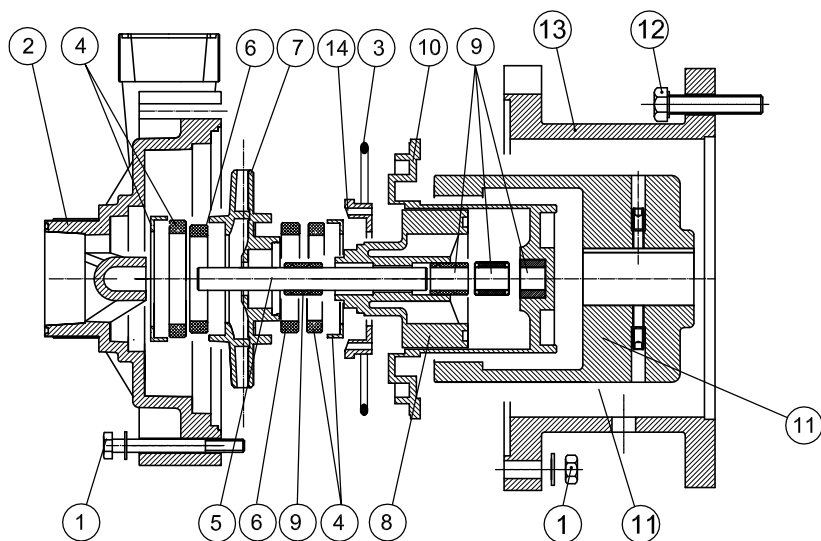
**FEATURES/CARATTERISTICHE**

Materials available/Materiali disponibili:	PP;PVDF
Max flow/Portata massima:	42 m <sup>3</sup> /h
Max head/Prevalenza massima:	31 m
Max temperature/Temperatura massima:	PP 60°C;PVDF 90°C
Max viscosity/Viscosità massima:	200 cSt
Pressure rating/Pressione nominale massima:	NP/PN 6 @ 20°C
Pump weight/Peso pompa:	PP: 19.7 Kg; PVDF: 21.3Kg
Motor weight/Peso motore (approx.):	3.0 kW: 23 Kg 4.0 kW: 31 Kg

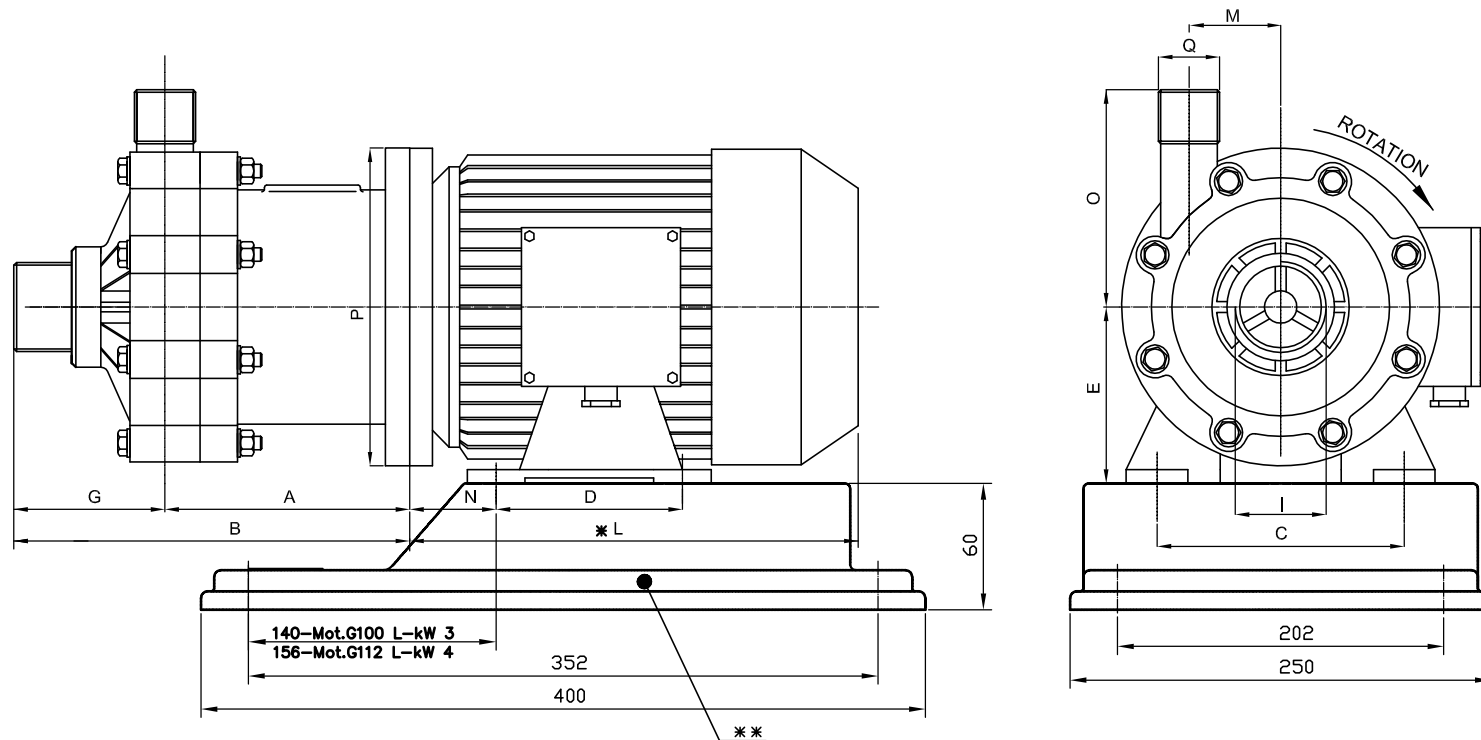
**CURVES/CURVE 50HZ-2900 RPM**



**SECTION AND PARTS LIST/SEZIONE E LISTA PARTI**



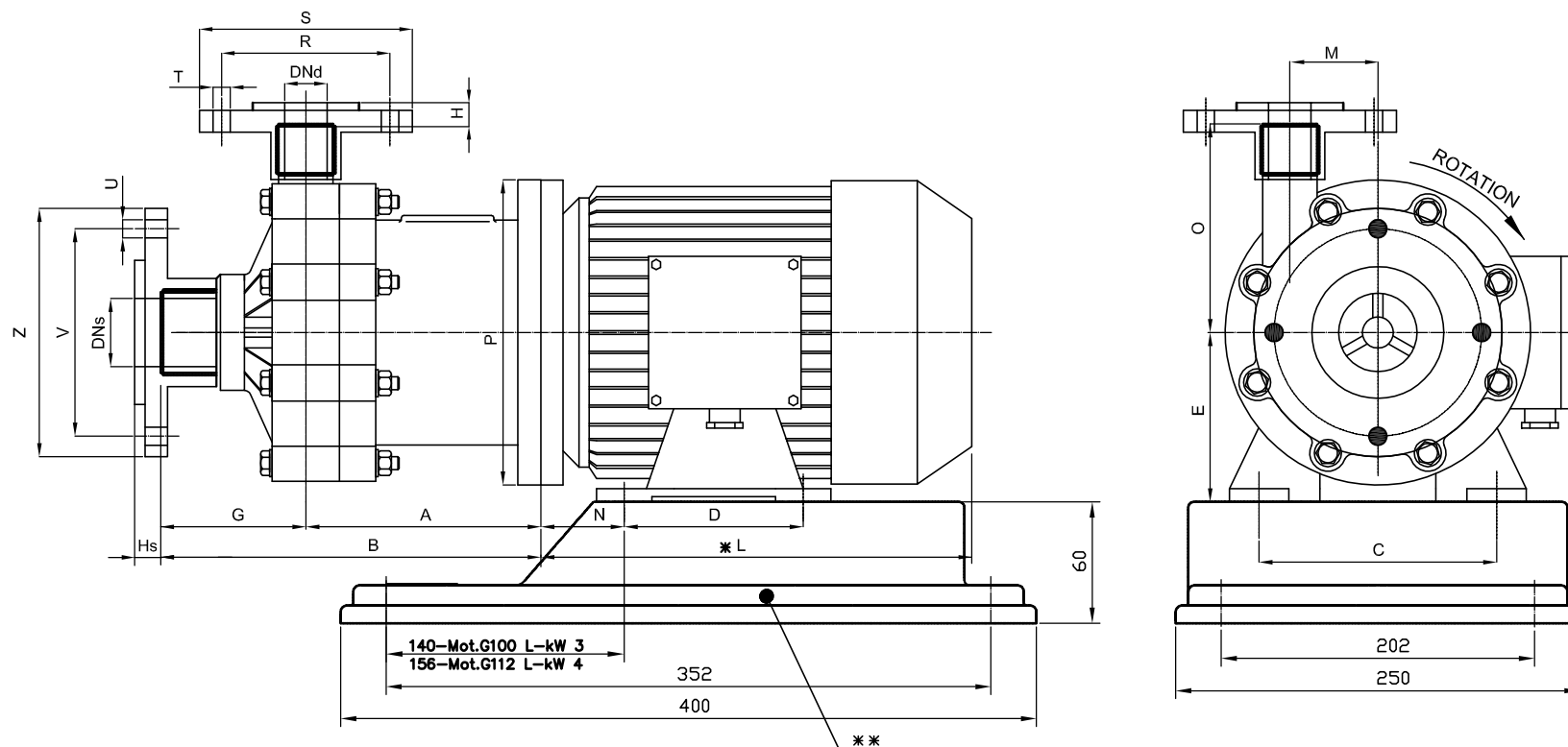
POS.	1	2	3	4	5	6	7	8	9	10	11	12	13
PART DESCR.	SET SCREWS	FRONT CASING	O-RING	CASING THRUST BUSH	SHAFT	IMPELLER THRUST BEARING	IMPELLER	INT. MAGNET	BEARING	REAR CASING	EXT. MAGNET	SET SCREWS	BRACKET
MATERIALS	AISI304	PP+GF PVDF+CF	EPDM VITON	AI203 EPDM VITON	AI203	PTFEC	PP PVDF	PP PVDF NeFeb	PTFEC	PP+GF PVDF+CF	Fe NeFeb	AISI304	ALLUMINIUM



PUMP TYPE	MOTOR FLANGE B3-B5	POT. Kw	DIMENSIONS - mm -												
			A	B	C	D	E	G	I	*L	M	N	O	P	Q
HTM 40	G 100 L	3	228	320	160	140	100	92	3"	315	82.5	63	170	250	2 1/2" MALE
HTM 40	G 112 M	4	228	320	190	140	112	92	3"	325	82.5	70	170	250	2 1/2" MALE

\* Different according to the manufacturer / Diverso a seconda del fornitore  
\*\* OPTIONAL-UPON REQUEST/SU RICHIESTA: Baseplate/Piede d'appoggio - Flanges/Flange





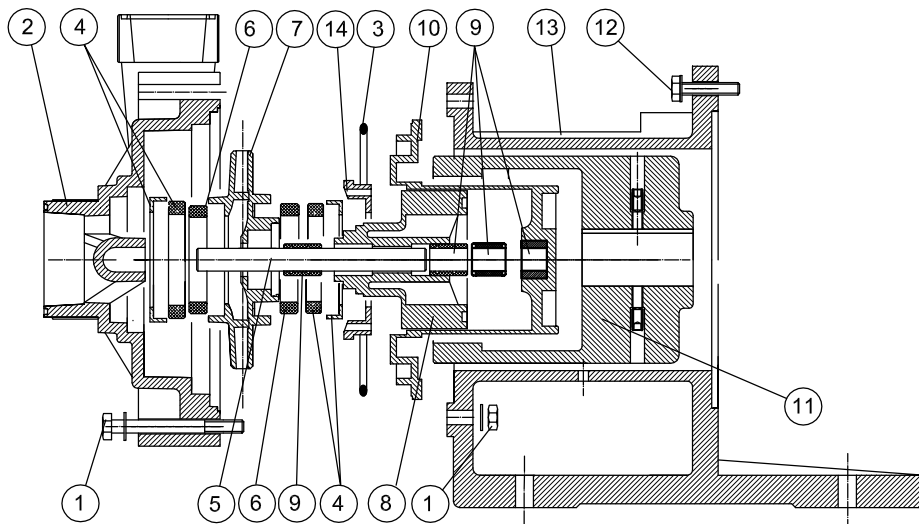
PUMP TYPE	MOTOR FLANGE B3-B5	POT. Kw	DIMENSIONS - mm -													FLANGES DIN PN 10-DIMENSIONS - mm -							
			A	B	C	D	E	G	H	Hs	✱L	M	N	O	P	R	S	T	U	V	Z	DNs	DNd
HTM 40	G 100 L	3	228	320	160	140	100	92	10	10	315	82.5	63	170	250	145	188	18	18	160	203	80	65
HTM 40	G 112 M	4	228	320	190	140	112	92	10	10	325	82.5	70	170	250	145	188	18	18	160	203	80	65

✱ Different according to the manufacturer / Diverso a seconda del fornitore  
✱✱ OPTIONAL-UPON REQUEST/SU RICHIESTA: Baseplate/Piede d'appoggio

**FEATURES/CARATTERISTICHE**

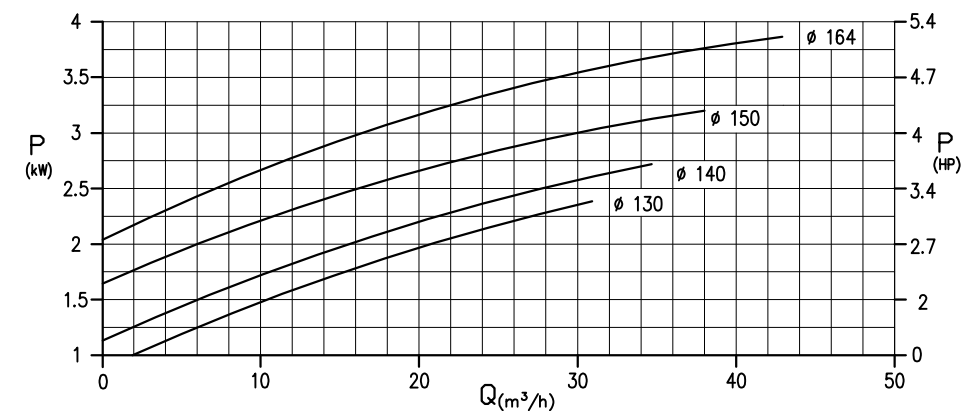
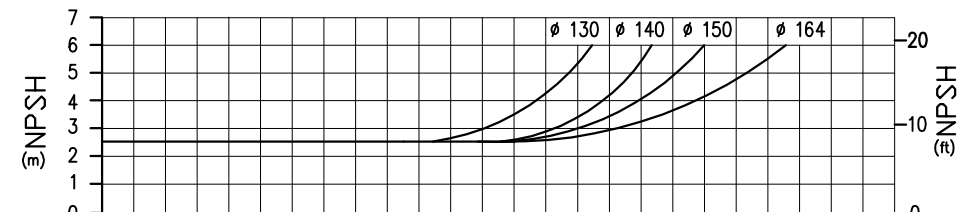
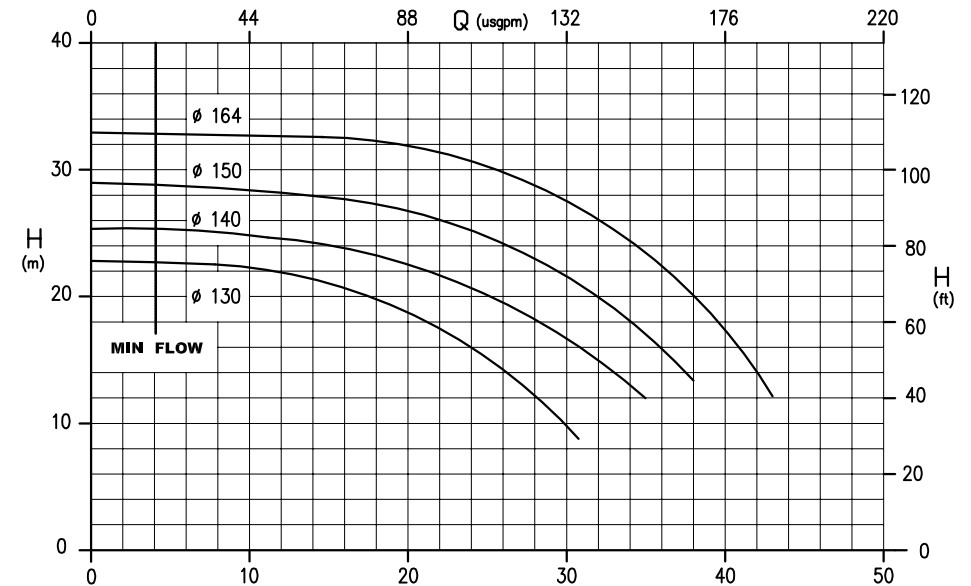
Materials available/Materiali disponibili:	PP; PVDF
Max flow/Portata massima:	43 m <sup>3</sup> /h
Max head/Prevalenza massima:	33 m
Max temperature/Temperatura massima:	PP 60°C; PVDF 90°C
Max viscosity/Viscosità massima:	200 cSt
Pressure rating/Pressione nominale massima:	NP/PN 6 @ 20°C
Pump weight/Peso pompa:	PP: 32.2 Kg; PVDF: 35 Kg
Motor weight/Peso motore (approx.):	5.5 kW: 39 Kg 7.5 kW: 39 Kg

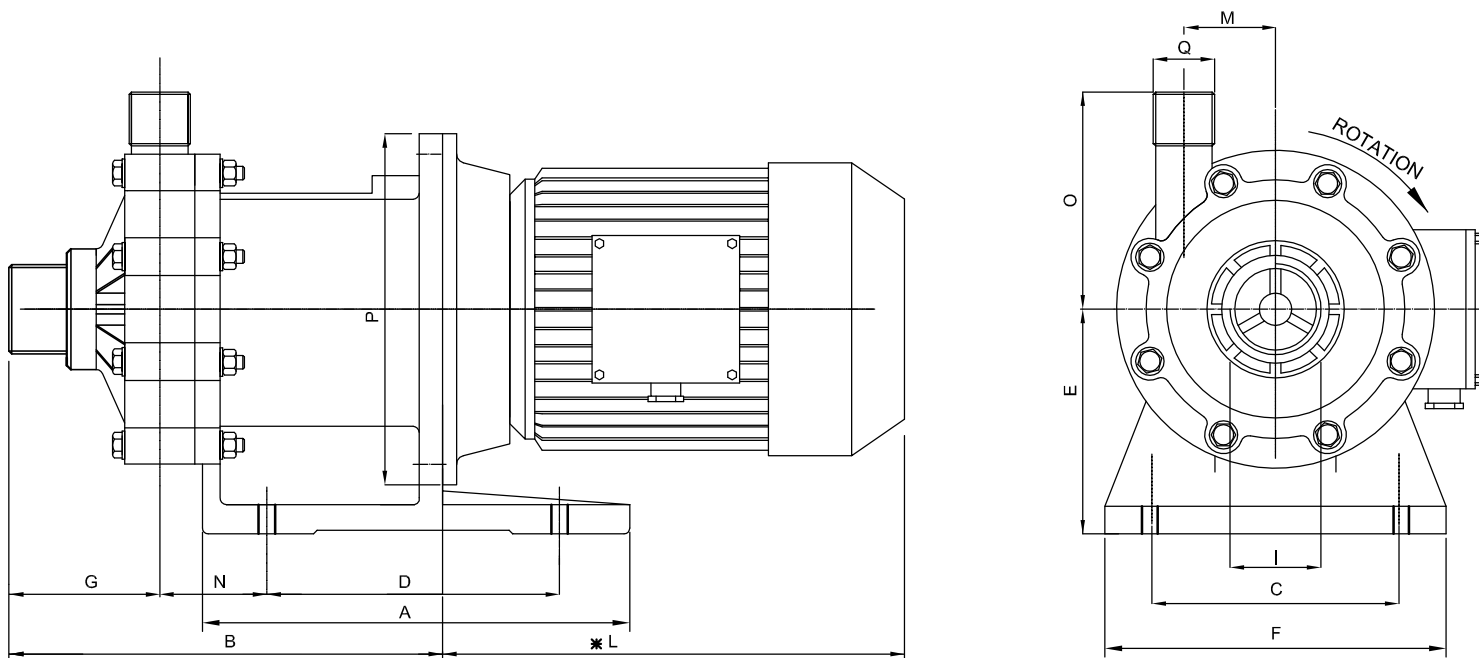
**SECTION AND PARTS LIST/SEZIONE E LISTA PARTI**



POS.	1	2	3	4	5	6	7	8	9	10	11	12	13	14
PART DESCR.	SET SCREWS	PUMP HEAD	O-RING	CASING THRUST BUSH	SHAFT	IMPELLER THRUST BEARING	IMPELLER	INT. MAGNET	BEARING	REAR CASING	EXT. MAGNET	SET SCREWS	BRACKET	REAR SUPPORT
MATERIALS	AISI304	PP+GF PVDF+CF	EPDM VITON	AI2O3 EPDM VITON	AI2O3	PTFEC	PP PVDF	PP PVDF NeFeb	PTFEC	PP+GF PVDF+CF	C40 NeFeb	AISI304	ALLUMINIUM	PP PVDF

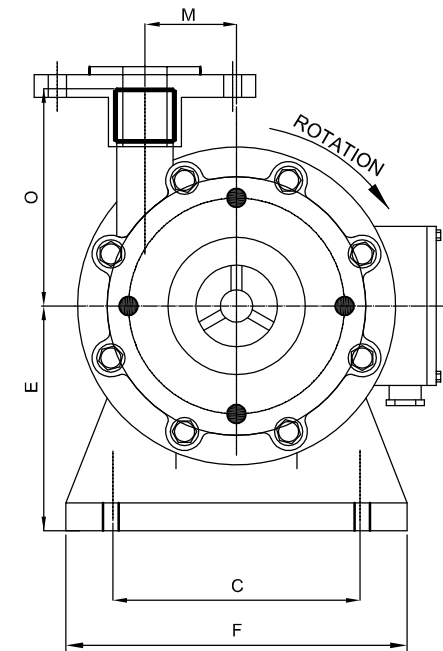
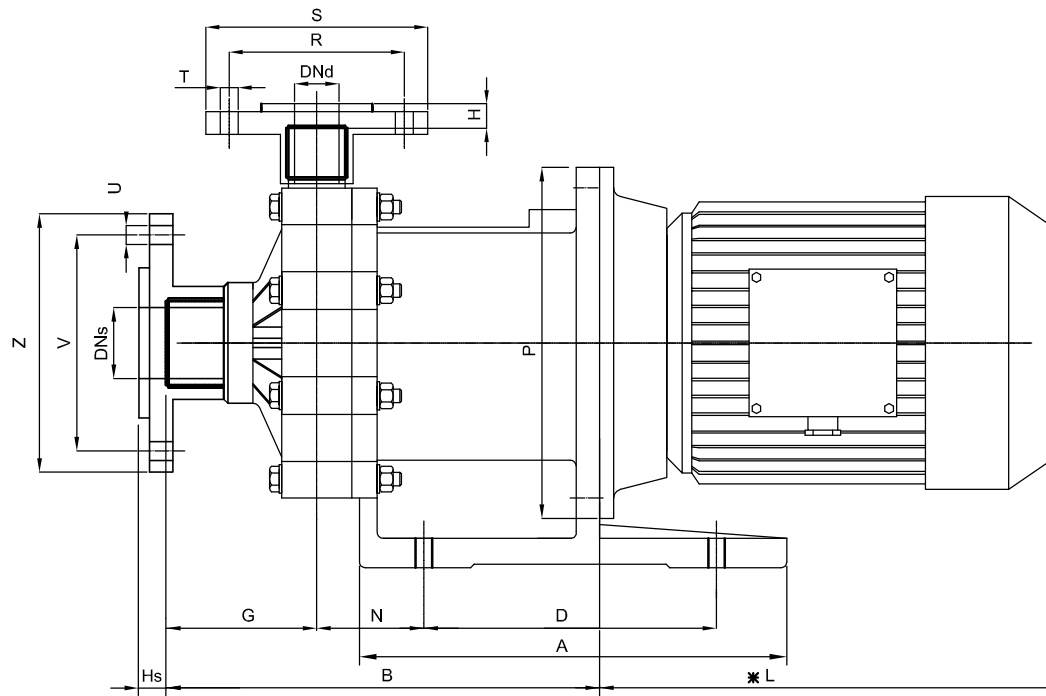
**CURVES/CURVE 50HZ-2900 RPM**





PUMP TYPE	MOTOR FLANGE B5	POT. Kw	DIMENSIONS - mm -													
			A	B	C	D	E	F	G	I	*L	M	N	O	P	Q
HTM 50	G 132S2A	5.5	365	339	216	250	192	274	92	3"	383	82.5	98	170	300	2 1/2"
HTM 50	G 132S2B	7.5								MALE	421					

\* Different according to the manufacturer / Diverso a seconda del fornitore  
 \*\* OPTIONAL-UPON REQUEST/SU RICHIESTA: Flanges/Flange



PUMP TYPE	MOTOR FLANGE B5	POT. Kw	DIMENSIONS - mm -											FLANGES DIN PN 10-DIMENSIONS - mm -										
			A	B	C	D	E	F	G	H	Hs	*L	M	N	O	P	R	S	T	U	V	Z	DNs	DNd
HTM 50	G 132S2A	5.5										383												
HTM 50	G 132S2B	7.5	365	339	216	250	192	274	92	10	10	421	82.5	98	170	300	145	188	18	18	160	203	80	65

\* Different according to the manufacturer / Diverso a seconda del fornitore