

ADVANTAGES

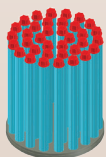
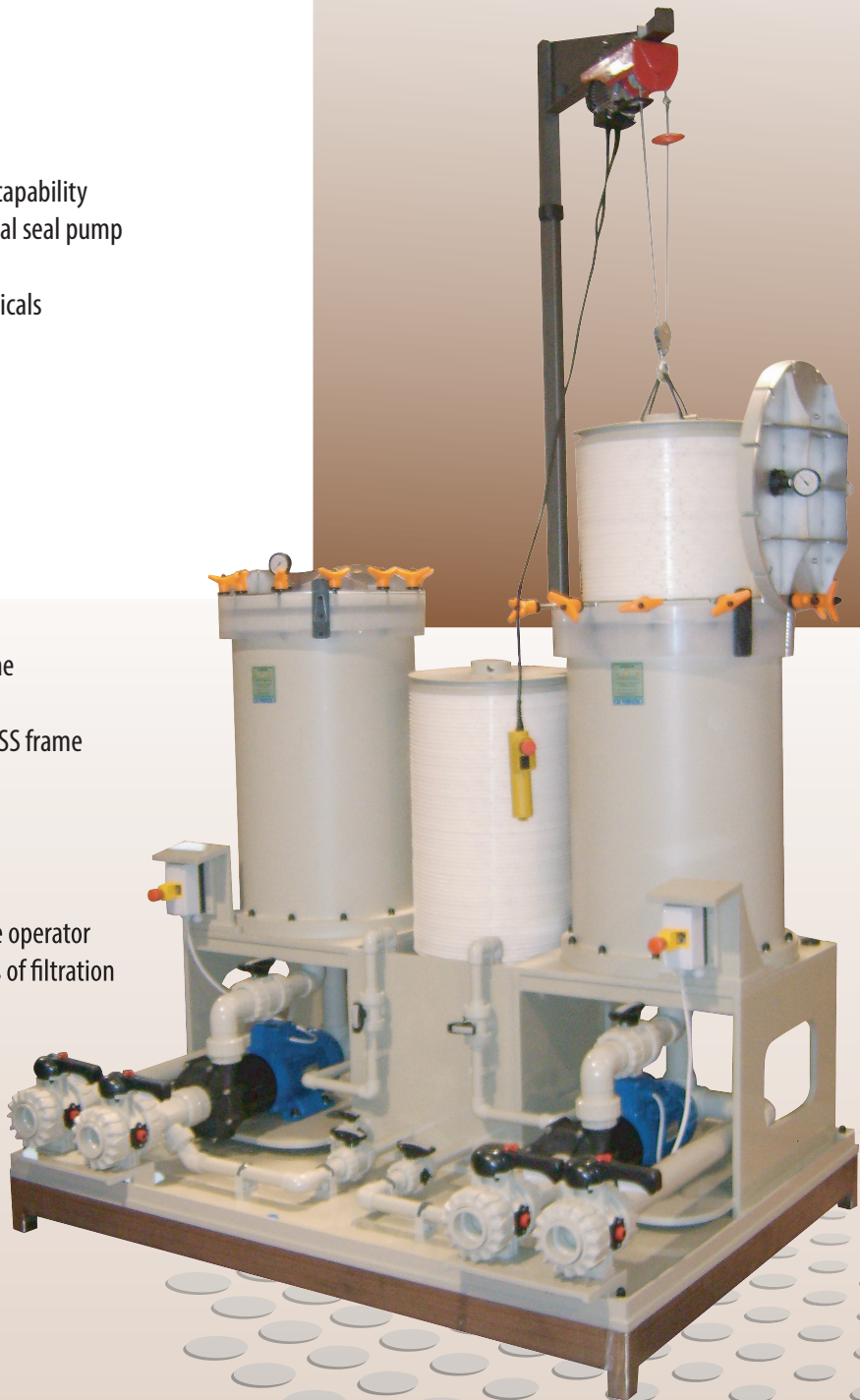
- More robust solid monobloc filter chamber
- Assisted lid opening/closure system
- Improved distribution flow
- Four 90° lid opening positions
- Choice of 9 interchangeable filter inserts
- Large surface area and volume of sediment capability
- Interchangeability magnetic pump/mechanical seal pump (EVOLUTE series)
- Excellent resistance at alkaline and acid chemicals
- Filter housing 3 year warranty

FEAURES

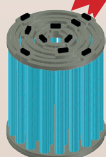
- Filter flow rate 30 - 100 m³/h
- Pmax exercise 3 Bar at 70°C
- PP solid monobloc filter housing
- Large choice of filtration systems:
- Versions:
 - TX= Precoat tan, PP valves group and SS frame with PP dropping tank
 - CX= Round precoat tan, PP valves group and SS frame with PP dropping tank
- Filter papers Ø 460/100 mm

FILTER ELEMENTS

The great versatility of the filter unit offers to the operator the possibility to choose between different kinds of filtration or purification with the same unit.



Cartridges: PP cap cartridges clamping system Filter insert



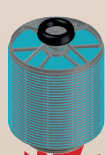
Cartridges: PP pressing ring clamping system Filter insert



Hi Flow filter inserts with washable JUMBO and CH high efficiency cartridges



Carbon canister filter insert

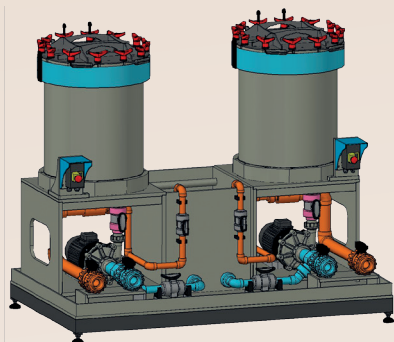


Hi and Low profile discs filter insert with double discs closure system

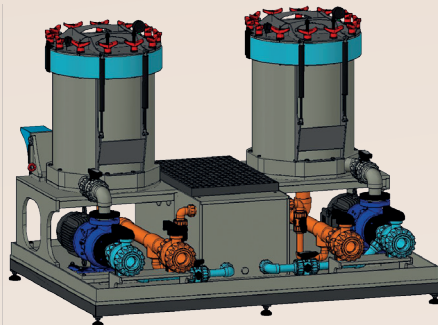


Hi and Low profile discs filter insert

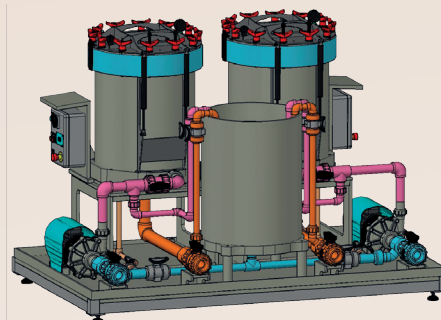




VERSION BIG-D TX



VERSION BIG-DS TX

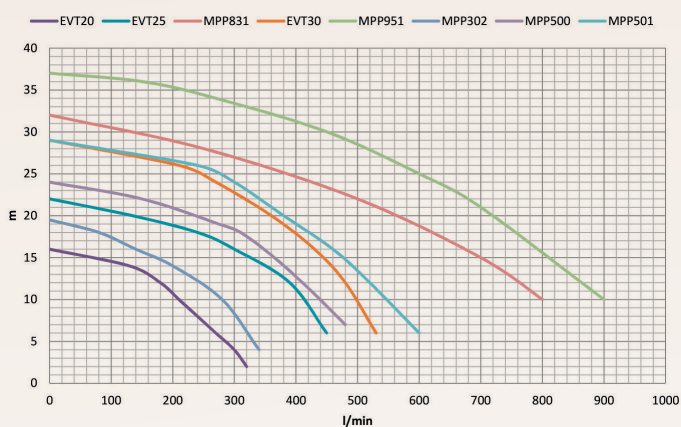


VERSION BIG-DS CX

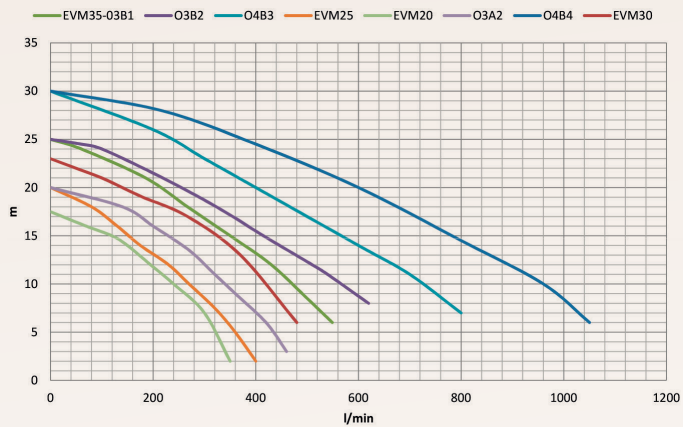
Mod.	FILTER HOUSING (n°2)							PUMPS(n°2)			VERSION	OPTIONALS	
	FILTER INSERT				FILTER ELEMENT			Magnetic drive	Mechanical seal	Materia	Type	Type	
	Discs Dxn° mod. (m²/l)*	Cartridges n°x l	High Flow (m³)	Carbon (l)	Discs	Cartridges	High Flow						
BIG-D BIG-DS	36D2 36D2T** (12/80)	36C2 (62x20)	36J2 (42)	36A2 (120)	_ = paper P= Meraklon T= PTFE	_ = DOE D63 P=DOE D 70 A=SOE 222 B=SOE 226	n°14 cartridges WASHABLE JUMBO JBP2A D150 mm	MPP302 MPP500 MPP501 EVT20 EVT25 EVT 30	EVM20 O3A2 O3B1 O3B2	_ = PP F= PVDF	TX=Precoat tan, PP valves group and SS frame with PP dropping tank	B=By pass pump filter R=splashproof lid ring I=interlock lis sensor P= filter pack replacement system with electric hoist	
	36D2H* 36D2HT** (12x90)		36W2 (36)				n°14 cartridges CH x 20" Absolute Rate						
	36D3 36D3T** (18/120)	36C3 (62x30)	36J3 (63)	36A3 (180)			n°14 cartridges WASHABLE JUMBO JBP3A D150 mm	MPP302 MPP500 MPP501 MPP831 MPP951	EVT20 EVT25 EVT 30				EVM20 O3A2 O3B1 O3B2 O4B3 O4B4
	36D3H* 36D3HT** (18x130)		36W3 (54)				n°14 cartridges CH x 30" Absolute Rate						
BIG-D	36D2H				P			EVT25			T	P	

*H - High profile disc for Zinc processes - ** Filter insert with titanium double closure system - *** always combined at SS frame with dropping tank (Option X)

MAGNETIC DRIVE



MECHANICAL SEAL



50 HZ	EVT20	EVT25	EVT30	MPP302	MPP500	MPP501	MPP831	MPP951	
KW	1,1	1,5	2,2	1,5	2,2	3	4	5,5	
A* 230/400V	4,9/2,5	6,5/3,8	8,7/5,0	6,5/3,8	8,7/5,0	7,2/5,9	13,2/7,6	20/11,5	
A* 400/690V								11/6,90	14,1/8,1
KW	1,1	1,5	2,2	1,5	2,2	3	4	5,5	
50 HZ	EVM20	EVM25	EVM30	EVM35	O3A2	O3B1	O3B2	O4B3	O4B4

* data can change accordind with motor type