

FEAUTURES

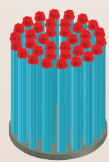
- Filter flow rate 2 - 50 m³/h
- Pmax exercise 3 Bar at 70°C
- PP solid monoblocc filter housing
- Large choice of filtration systems
- Versions:
 - _ = Standard double suction and discharge valve
 - K = Inlet-Outlet and valve between pump and chamber KIT
 - T = precoat tank with valves group
- Filter papers Ø 460/100 mm

ADVANTAGES

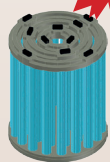
- More robust solid monoblocc filter chamber
- Assisted lid opening/closure system
- Improved distribution flow
- Four 90° lid opening positions
- Choice of 9 interchangeable filter inserts
- Large surface aerea and volume of sediment capability
- Interchangeability magnetic pump/mechanical seal pump (EVOLUTE series)
- Excellent resistance at alkaline and acid chemicals
- Filter housing 3 year warranty

FILTER ELEMENTS

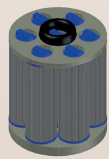
The great versatility of the filter unit offers to the operator the possibility to choose between different kinds of filtration or purification with the same unit.



Cartridges: PP cap cartridges clamping system Filter insert



NEW
Cartridges: PP pressing ring clamping system Filter insert



Hi Flow filter inserts with washable JUMBO and CH high efficiency cartridges



Carbon canister filter insert

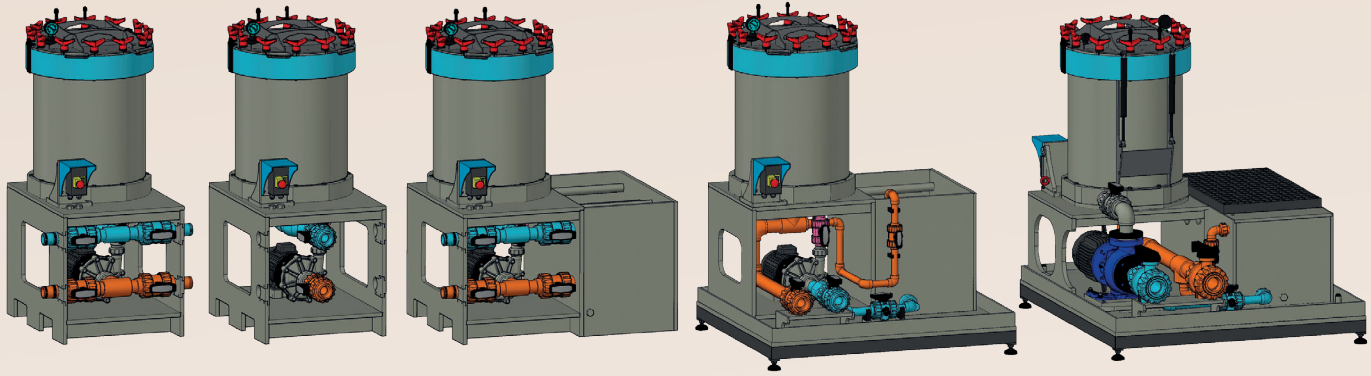


NEW
Hi and Low profile discs filter insert with double discs closure system



Hi and Low profile discs filter insert



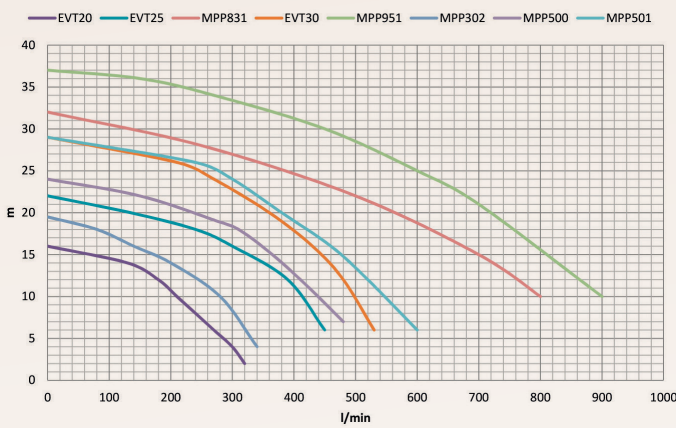


VERSION BIG "STANDARD" VERSION BIG "K" VERSION BIG "T" VERSION BIG "TX" VERSION BIG S "TX"

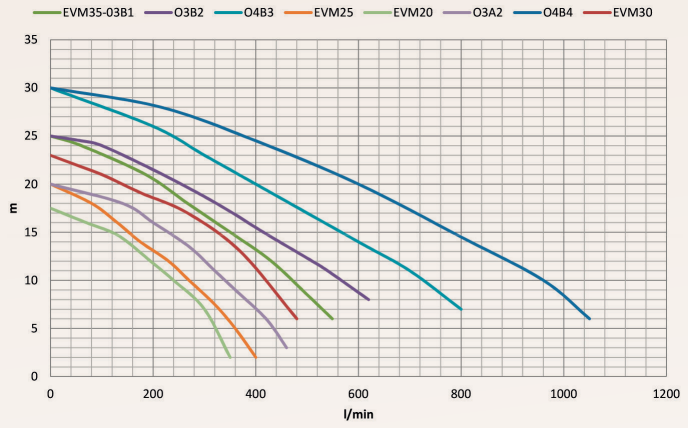
Mod.	FILTER HOUSING							PUMP			VERSION	OPTIONALS				
	FILTER INSERT				FILTER ELEMENT			Magnetic drive	Mechanical seal	Material	Type	Type				
	Discs	Cartridges	High Flow	Carbon	Discs	Cartridges	High Flow									
BIG BIG-S = chamber side inlet	36D2 36D2T** (6/40)	36C2 (36x20)	36J2 (21)	36A2 (60)	_ = paper P= Meraklon T= PTFE	_ = DOE D63 A=SOE 222 B=SOE 226	n°7 cartridges WASHABLE JUMBO JBP2A D150 mm	MPP302 MPP500 MPP501	EVM20 EVM25 EVM30 EVM35 O3A2 O3B1 O3B2	_ = PP F= PVDF	_ = double IN/OUT valves group	B=By pass pump filter I=interlock IIS sensor P= filter pack replacement system with electric hoist X=Stainless Steel frame with PP dropping tank				
	36D2H* 36D2HT** (6x45)		36W2 (18)				n°14 cartridges CH x20" Absolute Rate						EVT20 EVT25 EVT 30	K=Inlet-Outlet and valve between pump and chamber KIT		
	36D3 36D3T** (9/60)	36C3 (36x30)	36J3 (31,5)	36A3 (90)			n°7 cartridges WASHABLE JUMBO JBP2A D150 mm	MPP302 MPP500 MPP501 MPP831 MPP951	EVT20 EVT25 EVT 30		EVM20 EVM25 EVM30 EVM35 O3A2 O3B1 O3B2 O4B3 O4B4		T=precoat tank (V=180l) with valves group			
	36D3H* 36D3HT** (9x65)		36W3 (27)				n°7 cartridges CH x30" Absolute Rate							EVT20 EVT25 EVT 30	EVM20 EVM25 EVM30 EVM35 O3A2 O3B1 O3B2 O4B3 O4B4	C***= round precoat tank with valves group
BIG	36D2H				P			EVT25			T	P				

*H - High profile disc for Zinc processes - ** Filter insert with titanium double closure system - *** always combined at SS frame with dropping tank (Option X)

MAGNETIC DRIVE



MECHANICAL SEAL



50 HZ	EVT20	EVT25	EVT30	MPP302	MPP500	MPP501	MPP831	MPP951	
KW	1,1	1,5	2,2	1,5	2,2	3	4	5,5	
A* 230/400V	4,9/2,5	6,5/3,8	8,7/5,0	6,5/3,8	8,7/5,0	7,2/5,9	13,2/7,6	20/11,5	
A* 400/690V								11/6,90	14,1/8,1
KW	1,1	1,5	2,2	1,5	2,2	3	4	5,5	
50 HZ	EVM20	EVM25	EVM30	EVM35	O3A2	O3B1	O3B2	O4B3	O4B4

* data can change accordind with motor type