

### ADVANTAGES

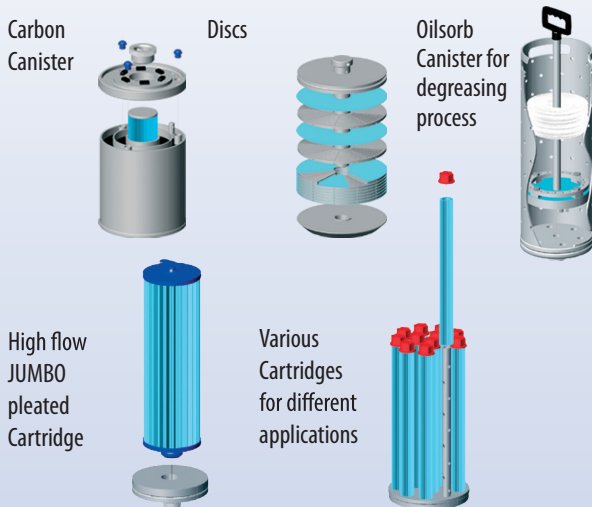
- Ease of operation
- Long life
- Ability to Interchange with several different filtration systems in the same housing
- Ability to change between EVOLUTE magnetic drive and mechanical seal pump
- Three years warranty on filter housing

### FEATURES

- Polypropylene machine solid monobloc filter housing
- Tilt lid with swing bolts closure system
- Magnetic drive or mechanical seal pump
- Solid Polypropylene base with discharge pipes and brackets on three side of the base
- Pre coat tank version
- Discs version, filter papers: D295/50 mm
- Filter housing improved distribution flow
- Tmax exercise 70°C with 3 Bar pressure



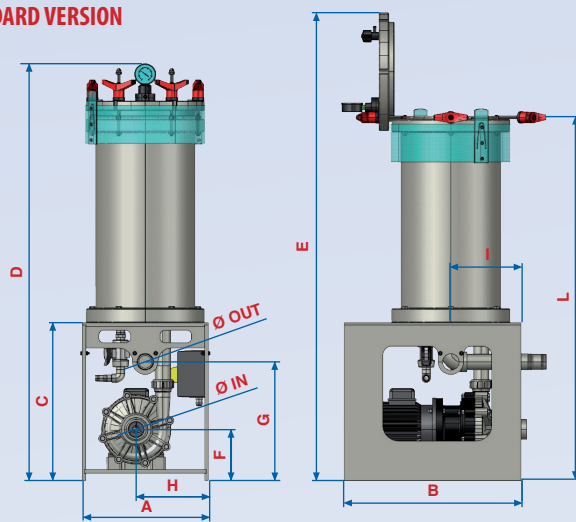
### FILTRATION TYPE



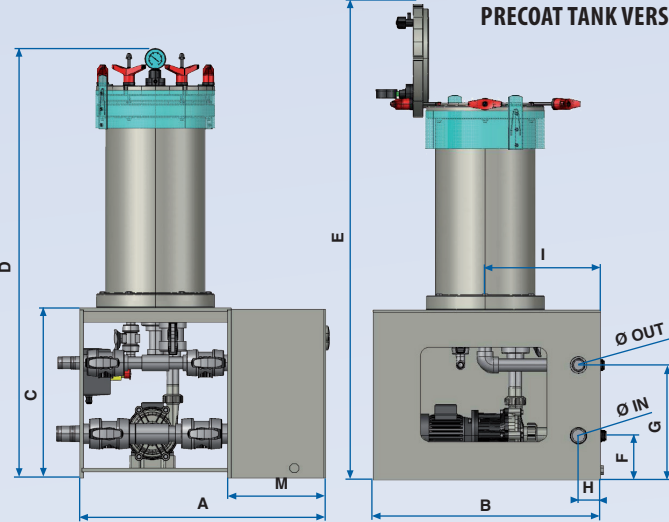
Series	Filter Chamber					Filter Element		Pump			OPTIONAL
	Discs Dxn° (m²/l)*	Cartridges n° x l"	JUMBO DxH" (m²)	Oilsorb (l)	Carbon (l)	Discs	Cartridges	Magnetic Drive	Mechanical Seal	Material	
MIX	15D1 290x33 (2,2/9,5)	15C1 15x10				_ = carta P = Meraklon T = PTFE	_ = DOE D63 M = DOE with spring closure system P = DOE D 70 A = SOE 222 B = SOE 226	EVT7 EVT12 EVT15	EVM8 EVM12 EVT15	_ = PP F = PVDF	A = Suction Valve M = Discharge B = By pass pump/filter C = Carbon treatment valves group G = Pressure Guage V = Valve between pump and filter T = Prea coat tank W = Wheels I = Interlock sensor placed on splashproof lid ring
	15D2 290x66 (4,4/19)	15C2 15x20		15O3 (30)	15A3 (30)			EVT15 EVT20 EVT25	EVM15 EVM20		
	15D3 290x100 (6,6/28,5)	15C3 15x30						EVT20 EVT25 EVT30	EVM20		
MIX	15D2							EVT25		M	AMGR

\* m² = Surface area / l = Sediment Volume

**STANDARD VERSION**



**PRECOAT TANK VERSION**



SERIES	HOUSING	PUMP	OVERALL DIMENSION														
			D in	D out	A	B	C	D	E	F	G	H	I	L	M		
MIX	15D1 15C1	EVT7	32	32	450 780	560 595	350 420	920 990	1125 1195	117	290 300	170 65	240 285	795 815	330		
		EVM8 EVT12 EVM12 EVT15 EVM15	50	40	450 810	590 720	450 500	1120 1170	1225 1275	145	320 355	185 90	250 337,5	465 915			
		15D2 15C2 15O2 15A2	EVT15 EVM15	50	40	450 810	590 720	450 500	1375 1425	1480 1530	145	320 355	185 90	250 337,5		1120 1170	330
			EVT20 EVM20		50	450 890	590 780	450 500	1375 1535	1480 1640	162 247	360 450	204 100	275 387		1170 1330	
		15D3 15C3	EVT20 EVM20	50	50	450 810	590 720	450 500	1635 1685	1740 1790	145	320 355	185 90	250 337,5		1430 1480	330
	EVT25 EVT30		63	63	450 890	650 780	500 660	1685 1795	1790 2050	162 247	360 450	204 100	275 387	1480 1640			

**50 Hz**

Rpm 2800	EVT7	EVM8	EVT12 EVM12	EVT15 EVM15	EVT20 EVM20	EVT25 EVM25	EVT30 EVM 30
KW	0,25	0,37	0,55	0,7	1,1	1,5	2,2
A* 230/400V	1,2/0,7	1,8/1,0	2,3/1,25	3,13/1,7	4,9/2,5	6,5/3,8	8,7/5,0

\* Values could change according with type of used motor

**60 Hz**

Rpm 3450	EVT7 EVM8	EVT12 EVM12	EVT15 EVM15	EVT20 EVM20	EVT25 EVM25	EVT30 EVM 30
KW	0,37	0,55	0,7	1,1	1,5	2,2
A* 220/380V	2,6/1,5	2,9/1,7	3,9/2,2	6,0/3,5	8,0/4,6	10,2/6,0

\* Values could change according with type of used motor

