

ADVANTAGES

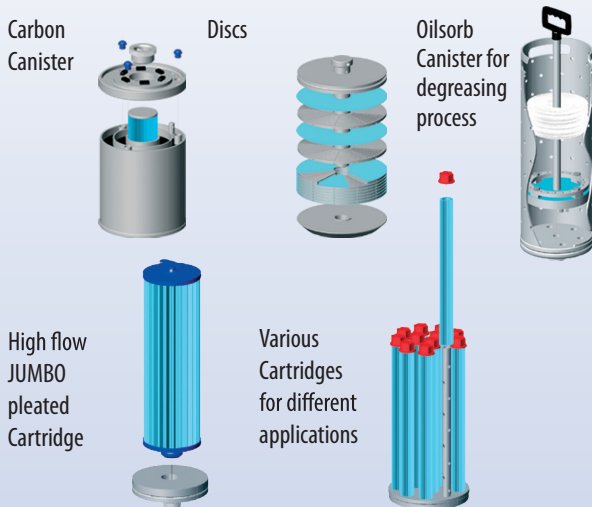
- Ease of operation
- Long life
- Ability to Interchange with several different filtration systems in the same housing
- Ability to change between EVOLUTE magnetic drive and mechanical seal pump
- Three years warranty on filter housing

FEATURES

- Polypropylene machine solid monobloc filter housing
- Tilt lid with swing bolts closure system
- Magnetic drive or mechanical seal pump
- Solid Polypropylene base with discharge pipes and brackets on three side of the base
- Pre coat tank version
- Discs version, filter papers: D205/32 mm
- Filter housing improved distribution flow
- Tmax exercise 70°C with 3 Bar pressure



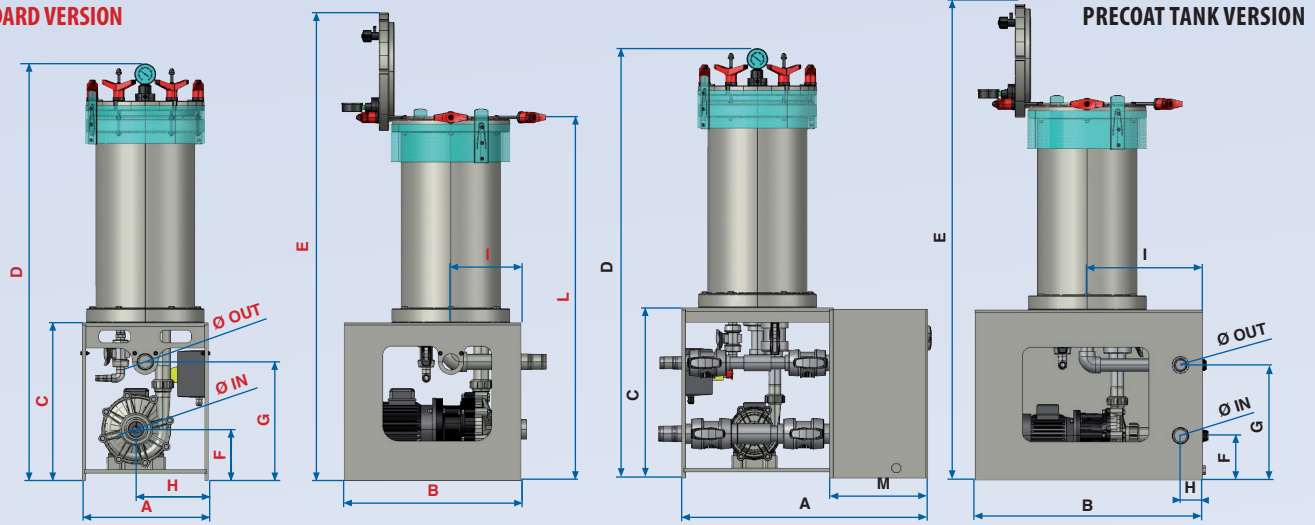
FILTRATION TYPE



Series	Filter Chamber					Filter Element		Pump			OPTIONALS		
	Discs Dxn° (m²/l)*	Cartridges n° x l"	JUMBO DxH" (m²)	Oilsorb (l)	Carbon (l)	Discs	Cartridges	Magnetic Drive	Mechanical Seal	Material			
MIX	7D1 200x35 (1/4,3)	7C1 7x10	7J1 200x10 (2,5)					EVT7	EVM8	_ = PP F = PVDF	A = Suction Valve M = Discharge B = By pass pump/filter C = Carbon treatment valves group G = Pressure Gauge V = Valve between pump and filter T = Prea coat tank W = Wheels I = Interlock sensor placed on splashproof lid ring		
	7D2 200x66 (2/8,6)	7C2 7x20	7J2 200x20 (5)	7O2 (15)	7A2 (15)	_ = carta P = Meraklon T = PTFE	_ = DOE D63 M = DOE with spring closure system P = DOE D 70 A = SOE 222 B = SOE 226					EVT7 EVT12 EVT15	EVM8 EVM12 EVM15
		7C3 7x30					EVT 12 EVT 15 EVT20					EVM12 EVM15 EVM20	
MIX	7D1					P		EVT7			GTR		

* m² = Surface area / l = Sediment Volume

STANDARD VERSION



SERIES	HOUSING	PUMP	OVERALL DIMENSION																						
			D in	D out	A	B	C	D	E	F	G	H	I	L	M										
MIX	7D1 7C1 7J1	EVT7	32	32	340 650	440 500	350 420	920 990	1020 1090	117	245 300	134 65	170 240	750 840	250										
		EVM8	40	50	40	40	395 720	560 600	420	990	1090	145	295	198 90		192 290	840								
	7D2 7C2 7J2 7O2 7A2	EVT7	32	32	340 650	440 500	350 420	1175 1245	1275 1345	117	245 300	134 65	170 301	1005 1095	250										
		EVM8	40	50	40	40	395 720	560 600	420 500	1245 1325	1345 1425	145	295 355	179 90		192 290	1095 1175								
		EVT12 EVM12 EVT15 EVM15	50	40	395 720	560 600												420 500	1505 1585	1605 1685	145	295 355	179 90	192 290	1355 1435
		EVT20 EVM20	50	50																					
	EVT25 EVM25	63	63	395	560	460	1545	1645	162	335	198	1395													

50 Hz

Rpm 2800	EVT7	EVM8	EVT12 EVM12	EVT15 EVM15	EVT20 EVM20	EVT25 EVM25	EVT30 EVM30
KW	0,25	0,37	0,55	0,7	1,1	1,5	2,2
A* 230/400V	1,2/0,7	1,8/1,0	2,3/1,25	3,13/1,7	4,9/2,5	6,5/3,8	8,7/5,0

* Values could change according with type of used motor

60 Hz

Rpm 3450	EVT7 EVM8	EVT12 EVM12	EVT15 EVM15	EVT20 EVM20	EVT25 EVM25	EVT30 EVM30
KW	0,37	0,55	0,7	1,1	1,5	2,2
A* 220/380V	2,6/1,5	2,9/1,7	3,9/2,2	6,0/3,5	8,0/4,6	10,2/6,0

* Values could change according with type of used motor

